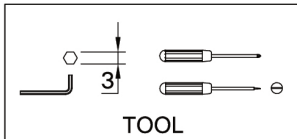
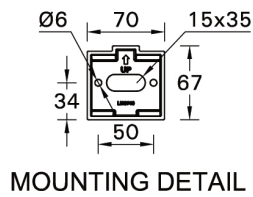
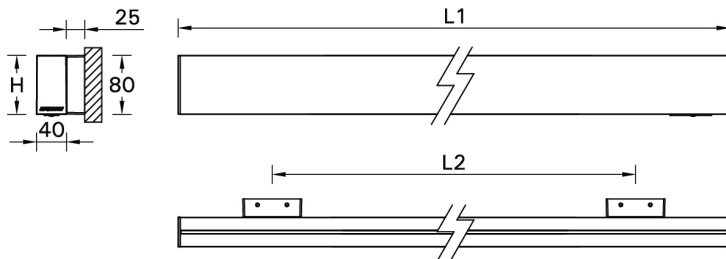


NYBRO 7 - NYB-30123

THAILAND
 LIGMAN Lighting Co.,Ltd.
 17/2 Moo 4, Monthong,
 Bang Nam Prio,ao,
 24150 Chachoengsao
 Thailand
 info@ligman.com

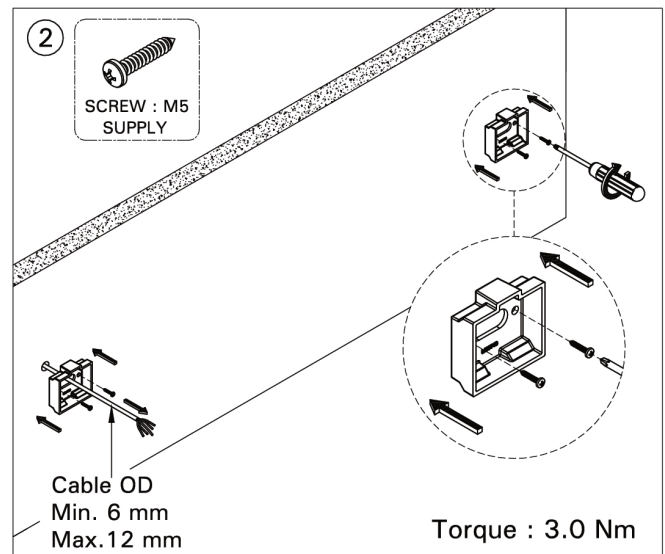
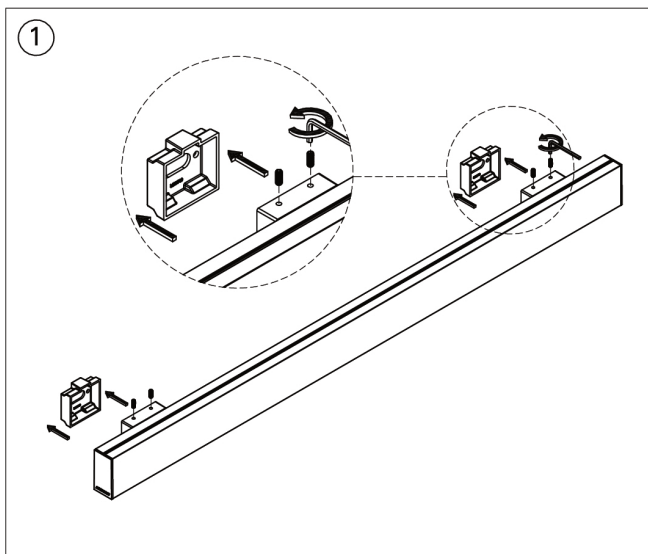


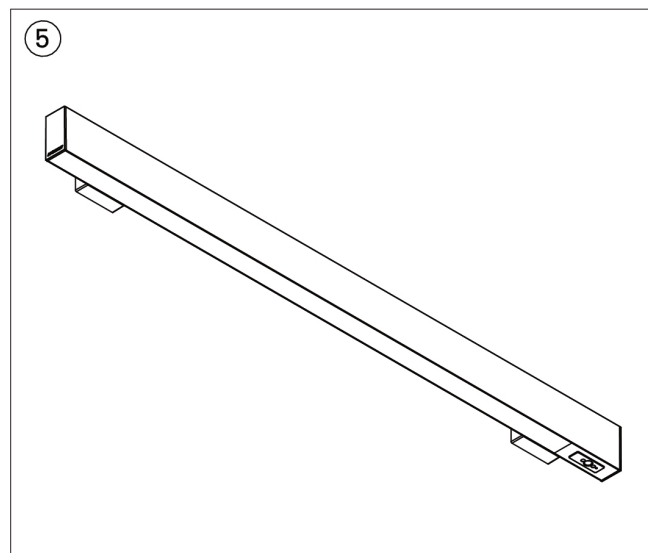
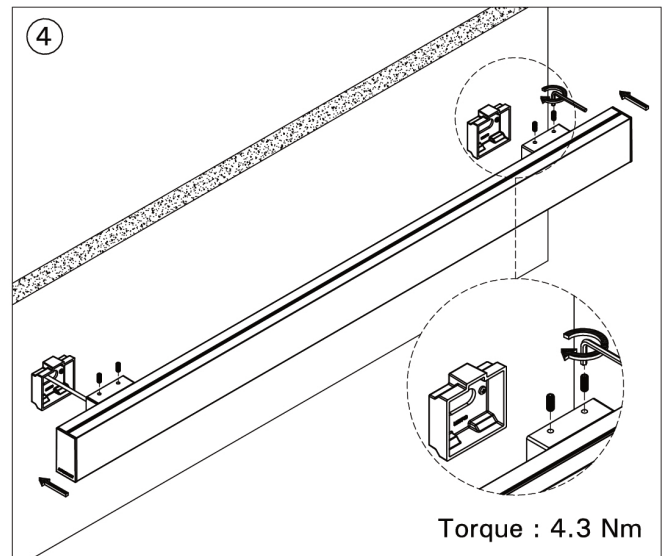
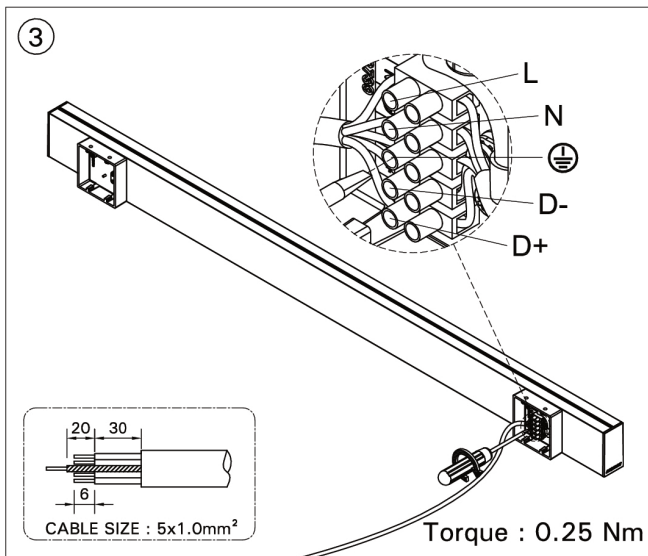
Product drawing (dimensions)



DOWN & UP-DOWN LIGHT


MODEL NO.	DIMENSION (mm)		
	L1	L2	H
NYB-30023	1178	922	80
NYB-30123			95
NYB-30033	1466	1210	80
NYB-30133			95
NYB-30043	1754	1498	80
NYB-30143			95
NYB-30053	2330	2074	80
NYB-30153			95
NYB-30063	2906	2650	80
NYB-30163			95



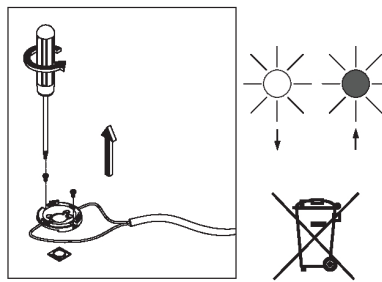


Procedure for removing / replacing the light source (LS) / the control gear (CG)

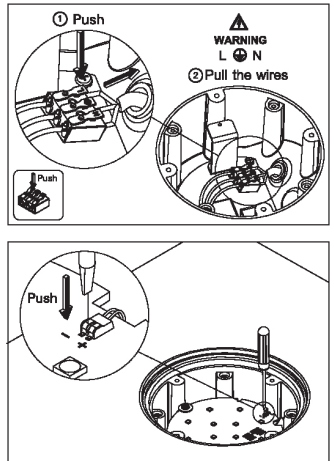
SLR 1



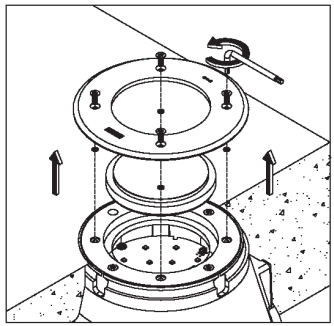
SLR 2



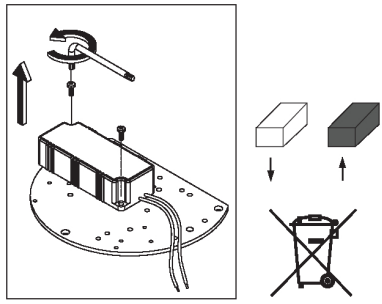
SLR 3



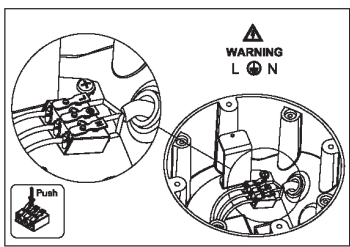
SLR 4



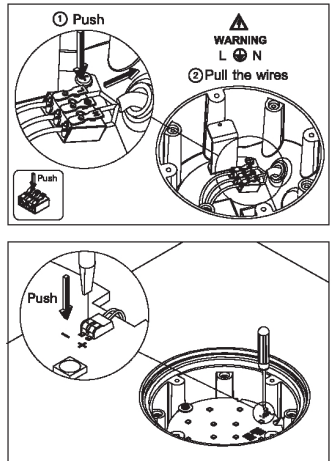
SLR 5



SLR 6



SLR 7



SLR 8

