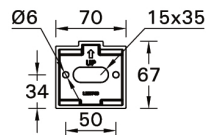
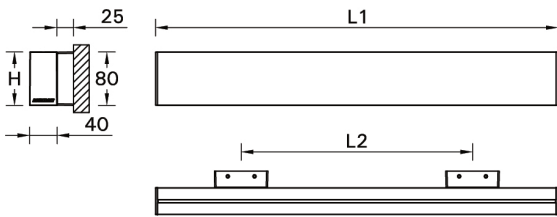


## NYBRO 7 - NYB-30141

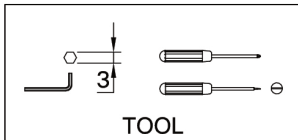
THAILAND  
LIGMAN Lighting Co.,Ltd.  
17/2 Moo 4, Monthong,  
Bang Nam Prio,  
24150 Chachoengsao  
Thailand  
info@ligman.com



### Product drawing (dimensions)



MOUNTING DETAIL



TOOL

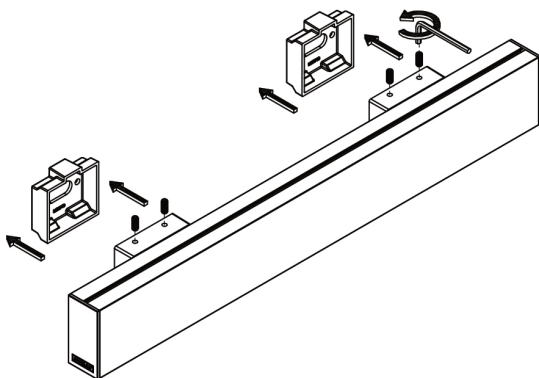
### DOWN LIGHT

MODEL NO.	DIMENSION (mm)		
	L1	L2	H
NYB-30001	602	346	80
NYB-30002	890	634	80
NYB-30011	890	634	80
NYB-30012	1178	922	80
NYB-30021	1466	1210	80
NYB-30022	1754	1498	80
NYB-30031	2330	2074	80
NYB-30032	2906	2650	80
NYB-30041	2906	2650	80
NYB-30042	2906	2650	80
NYB-30051	2906	2650	80
NYB-30052	2906	2650	80
NYB-30061	2906	2650	80
NYB-30062	2906	2650	80

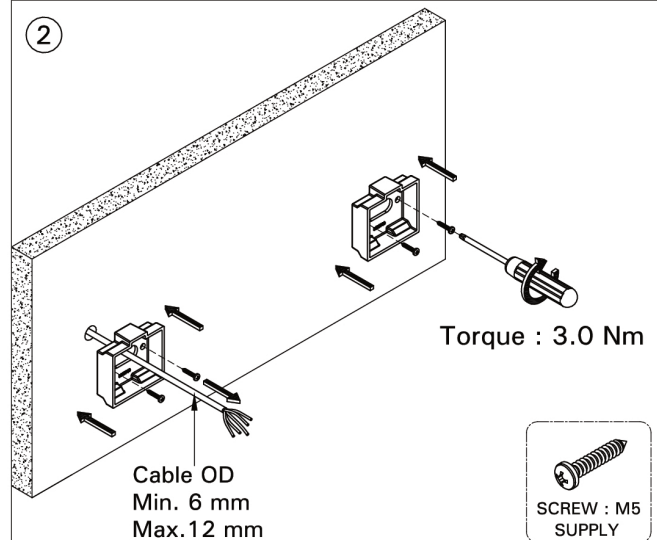
### UP-DOWN LIGHT

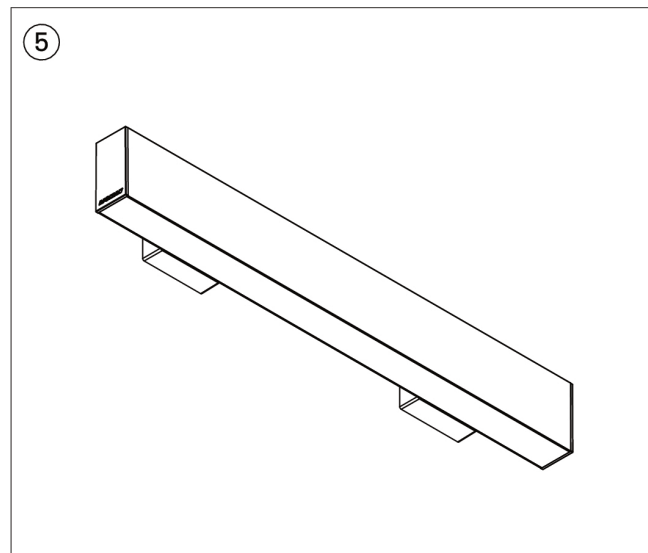
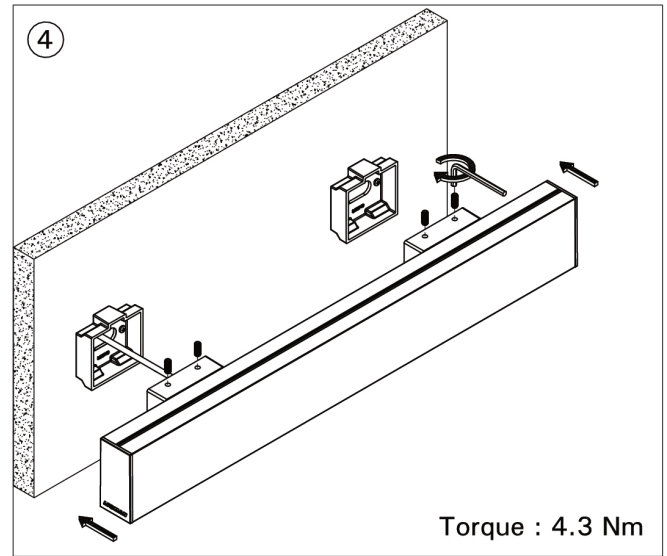
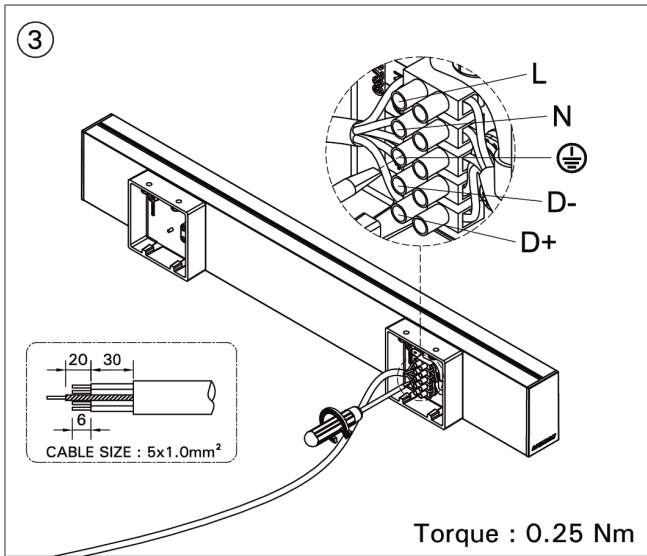
MODEL NO.	DIMENSION (mm)		
	L1	L2	H
NYB-30111	890	634	95
NYB-30112	1178	922	95
NYB-30121	1466	1210	95
NYB-30122	1754	1498	95
NYB-30131	2330	2074	95
NYB-30132	2906	2650	95
NYB-30141	2906	2650	95
NYB-30142	2906	2650	95
NYB-30151	2906	2650	95
NYB-30152	2906	2650	95
NYB-30161	2906	2650	95
NYB-30162	2906	2650	95

①




②



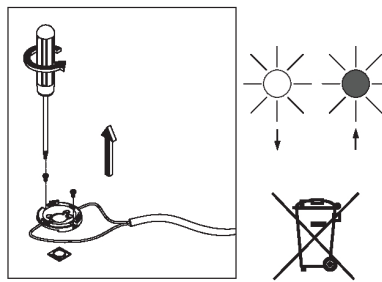


## Procedure for removing / replacing the light source (LS) / the control gear (CG)

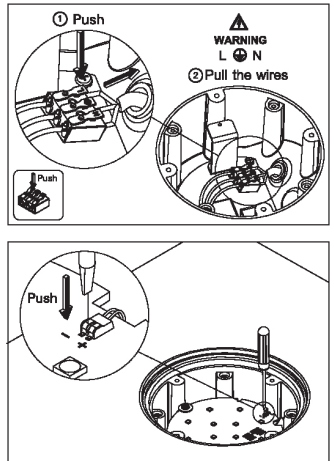
**SLR 1**



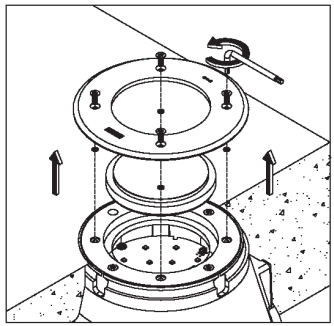
**SLR 4**



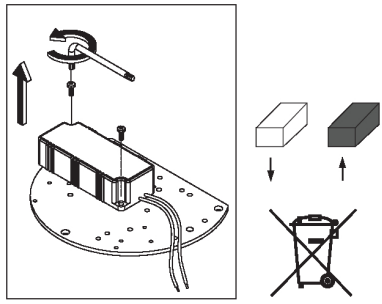
**SLR 6**



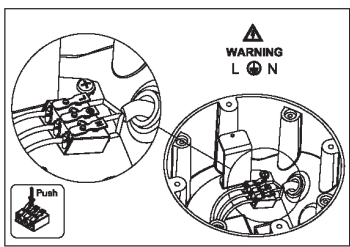
**SLR 2**



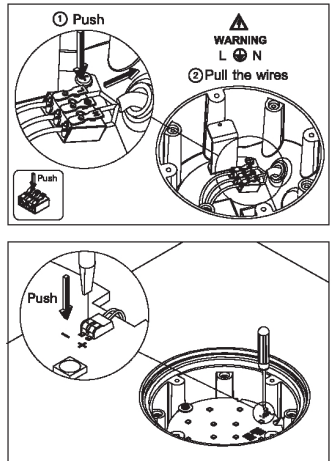
**SLR 5**



**SLR 7**



**SLR 3**



**SLR 8**

