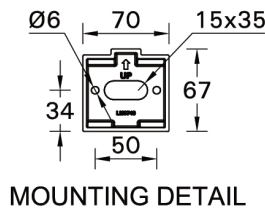
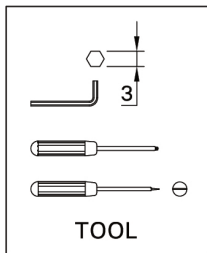
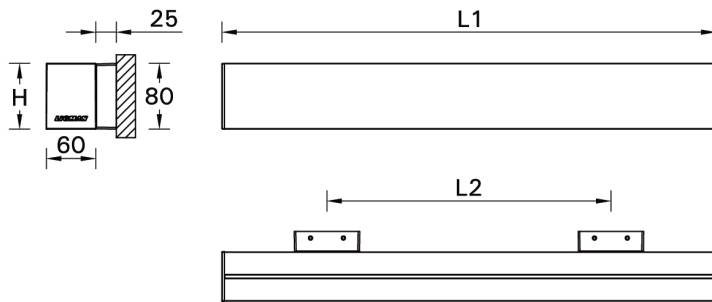


NYBRO 8 - NYB-30237

THAILAND
LIGMAN Lighting Co.,Ltd.
17/2 Moo 4, Monthong,
Bang Nam Prio,
24150 Chachoengsao
Thailand
info@ligman.com

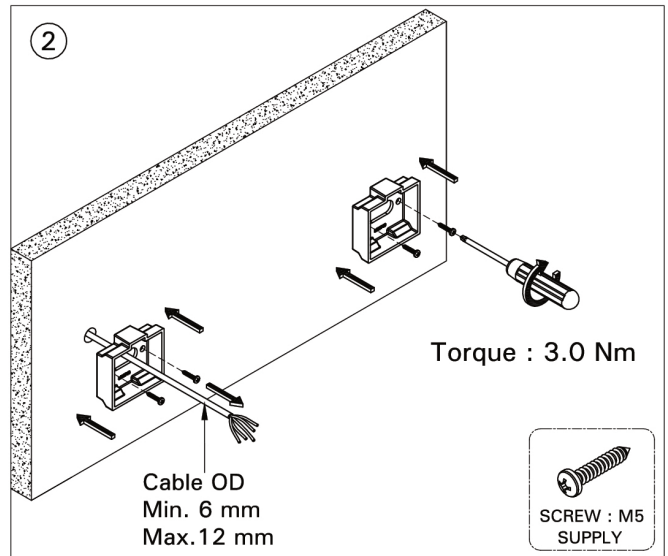
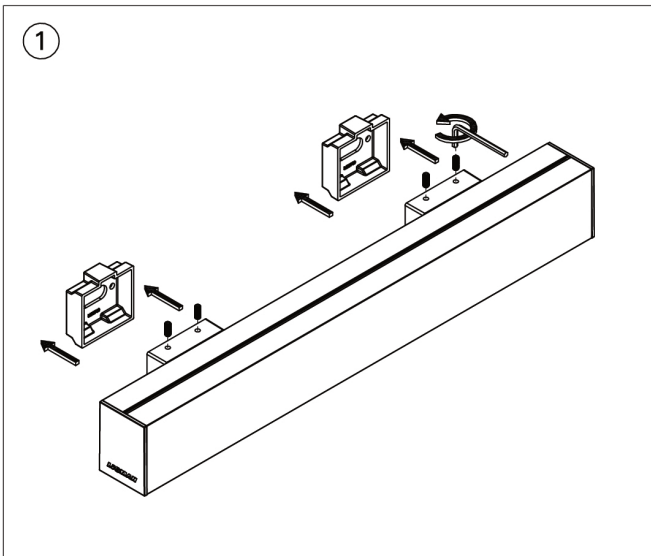


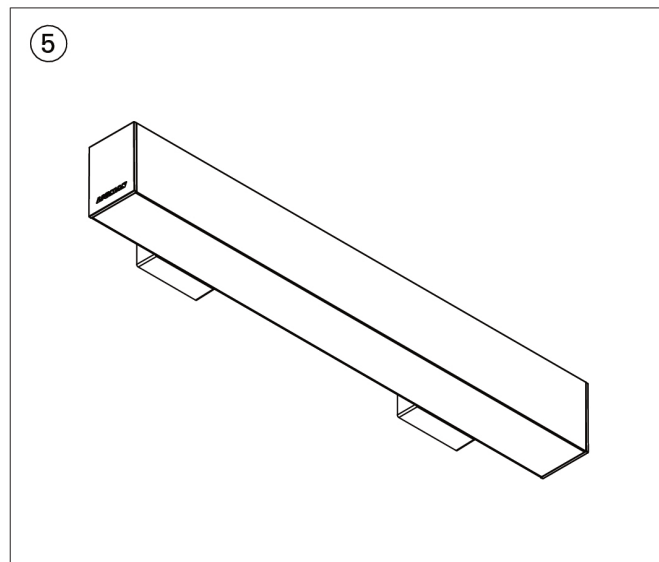
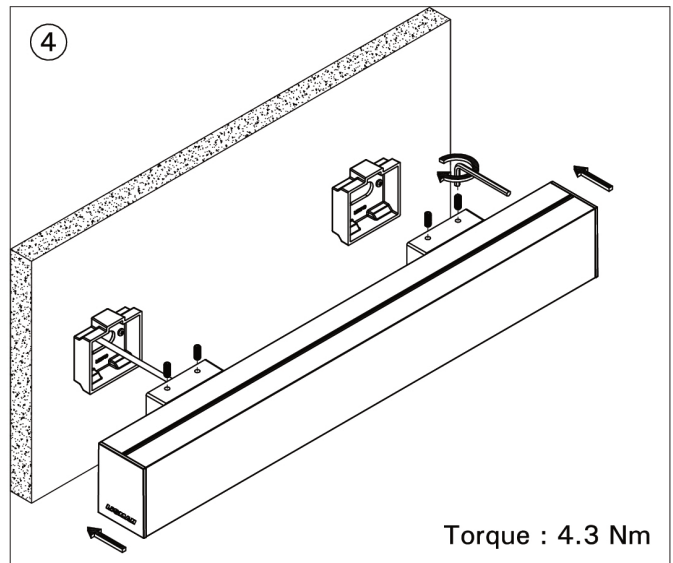
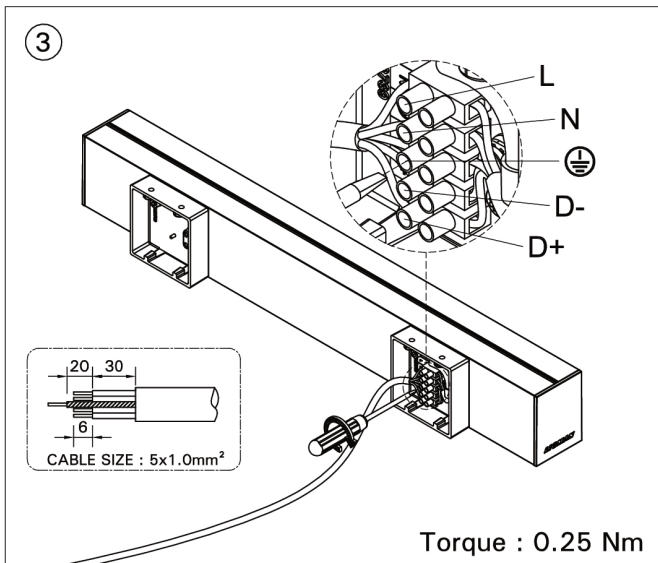
Product drawing (dimensions)



DOWN & UP-DOWN LIGHT

MODEL NO.	DIMENSION (mm)		
	L1	L2	H
NYB-30227	1178	922	80
NYB-30326			95
NYB-30237	1466	1210	80
NYB-30336			95
NYB-30247	1754	1498	80
NYB-30257	2330	2074	80
NYB-30356			95
NYB-30267	2906	2650	80
NYB-30366			95





Procedure for removing / replacing the light source (LS) / the control gear (CG)

SLR 1



SLR 4



SLR 6



SLR 2



SLR 5



SLR 7



SLR 3



SLR 8



