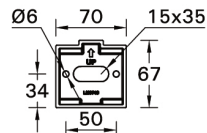
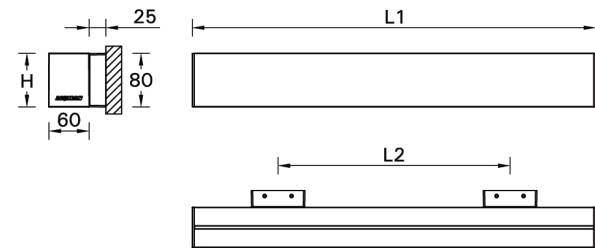


NYBRO 8 - NYB-30352

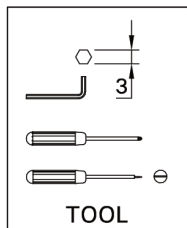
THAILAND
LIGMAN Lighting Co.,Ltd.
17/2 Moo 4, Monthong,
Bang Nam Prio,
24150 Chachoengsao
Thailand
info@ligman.com



Product drawing (dimensions)



MOUNTING DETAIL

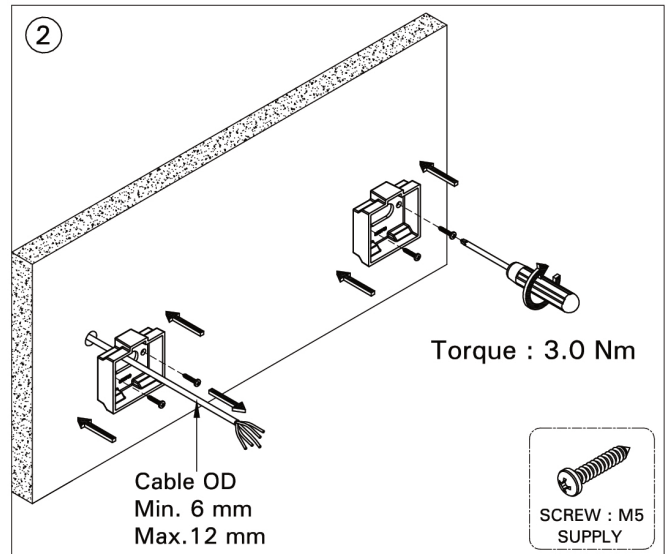
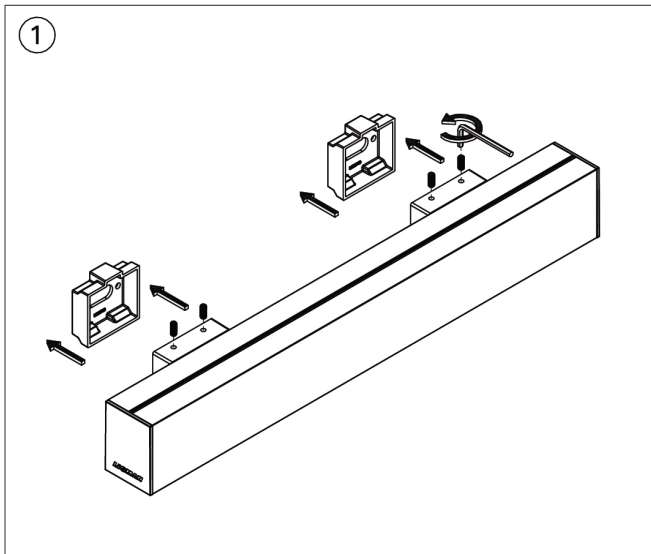


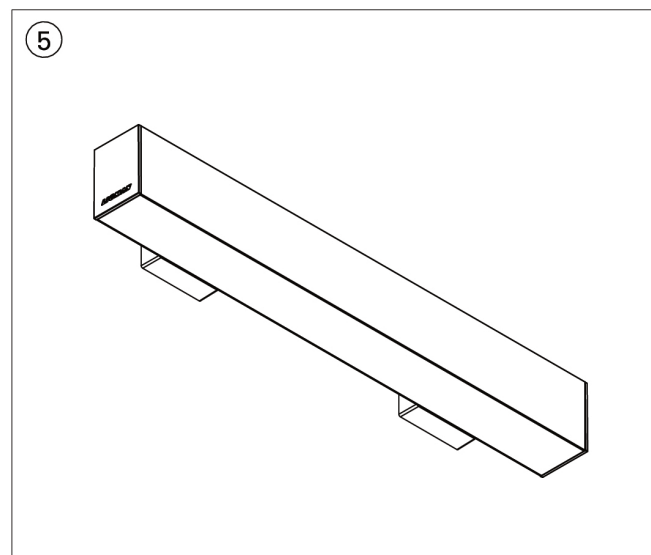
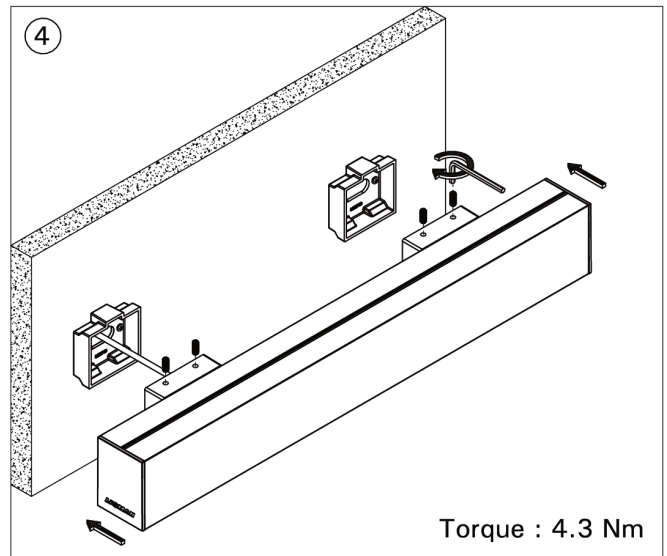
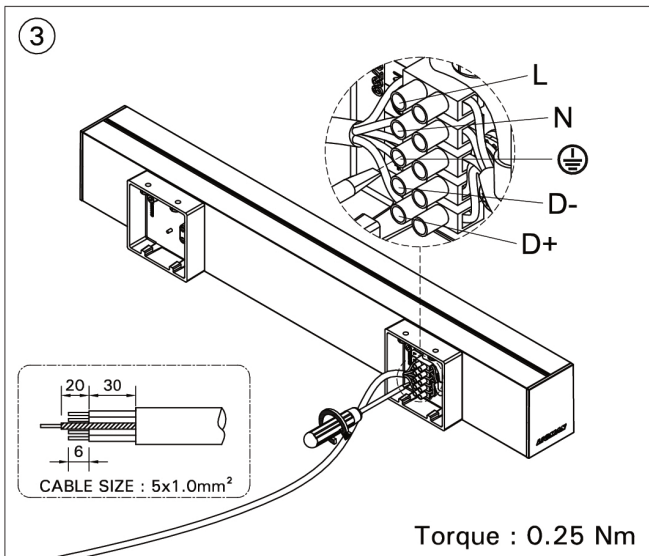
DOWN LIGHT

MODEL NO.	DIMENSION (mm)		
	L1	L2	H
NYB-30201	602	346	80
NYB-30202			
NYB-30203			
NYB-30211	890	634	80
NYB-30212			
NYB-30213			
NYB-30221	1178	922	80
NYB-30222			
NYB-30223			
NYB-30231	1466	1210	80
NYB-30232			
NYB-30233			
NYB-30241	1754	1498	80
NYB-30242			
NYB-30243			
NYB-30251	2330	2074	80
NYB-30252			
NYB-30253			
NYB-30261	2906	2650	80
NYB-30262			
NYB-30263			

UP-DOWN LIGHT


MODEL NO.	DIMENSION (mm)		
	L1	L2	H
NYB-30301	602	346	95
NYB-30302			
NYB-30311	890	634	95
NYB-30312			
NYB-30321	1178	922	95
NYB-30322			
NYB-30331	1466	1210	95
NYB-30332			
NYB-30341	1754	1498	95
NYB-30342			
NYB-30351	2330	2074	95
NYB-30352			
NYB-30361	2906	2650	95
NYB-30362			



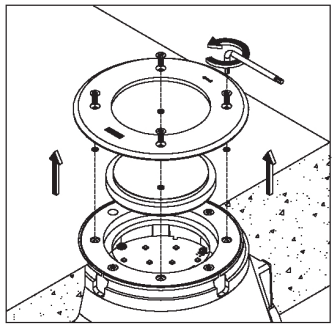


Procedure for removing / replacing the light source (LS) / the control gear (CG)

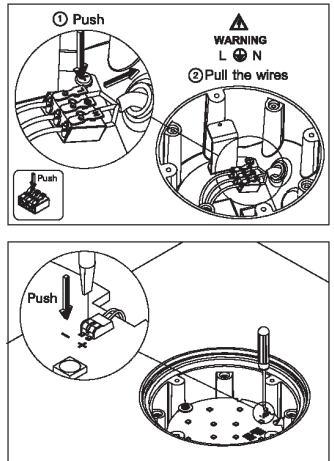
SLR 1



SLR 2



SLR 3

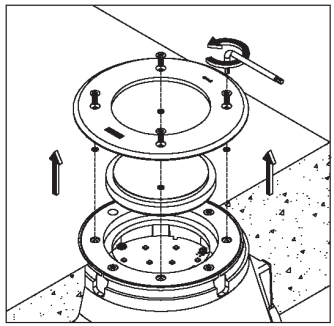


① Push

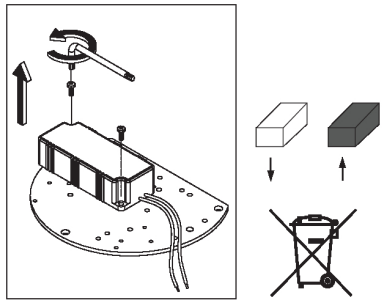
② Pull the wires

WARNING
L N

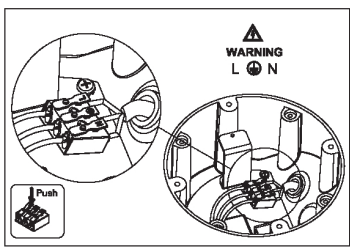
SLR 4



SLR 5

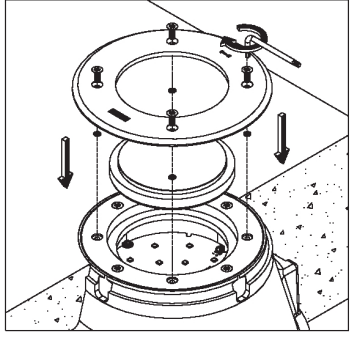


SLR 6



WARNING
L N

SLR 7



SLR 8

