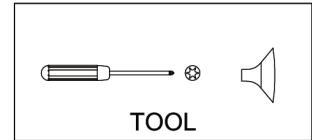


## NYBRO 2 - NYB-80157

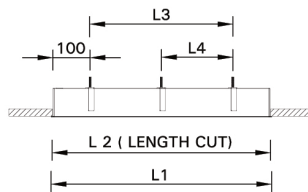
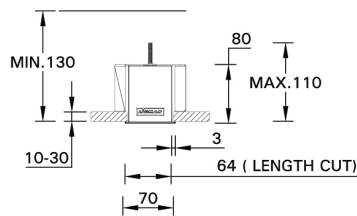
THAILAND  
LIGMAN Lighting Co.,Ltd.  
17/2 Moo 4, Monthong,  
Bang Nam Prio,  
24150 Chachoengsao  
Thailand  
info@ligman.com



### Product drawing (dimensions)

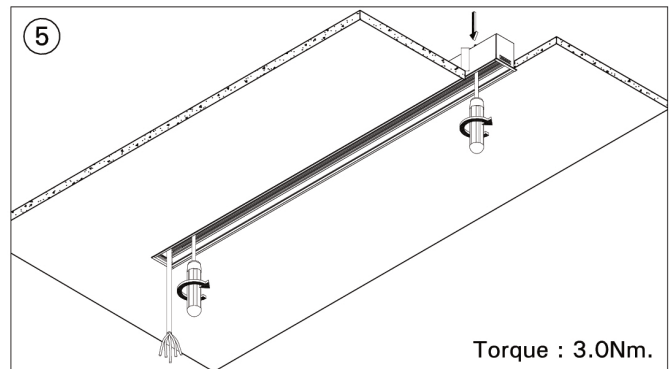
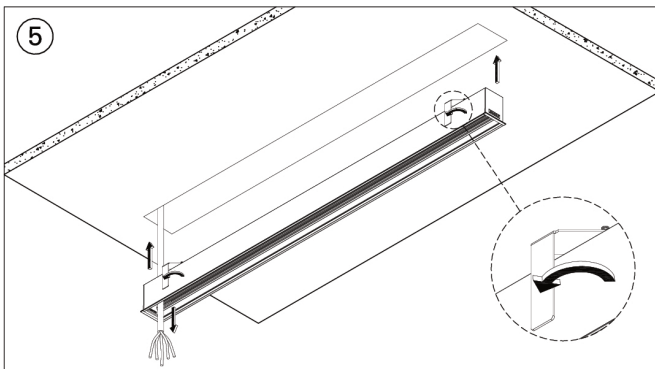
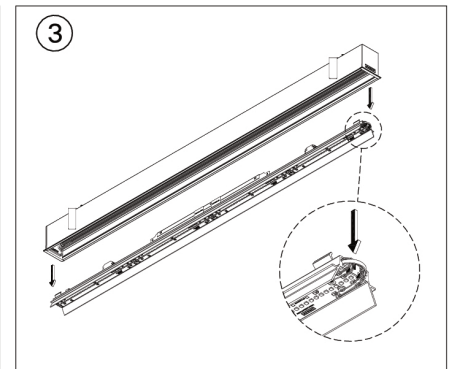
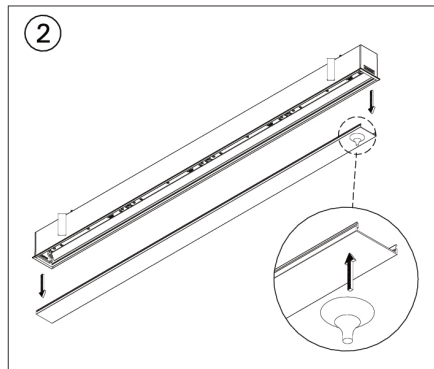
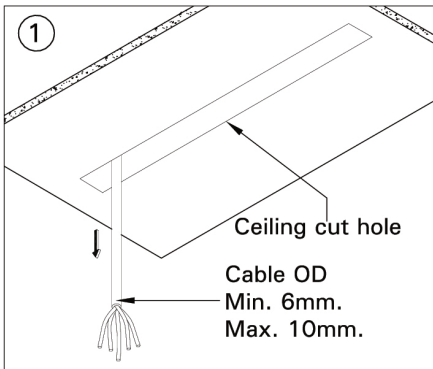


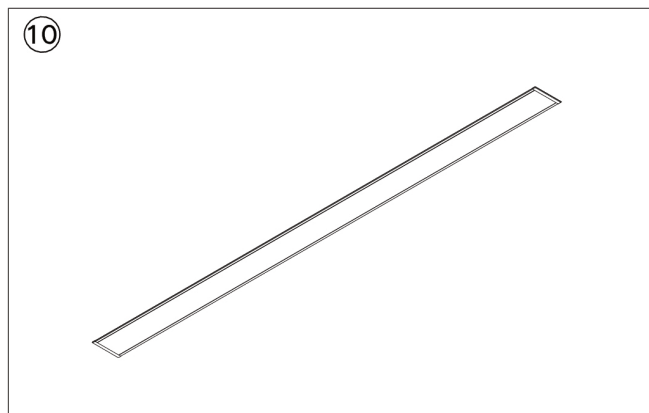
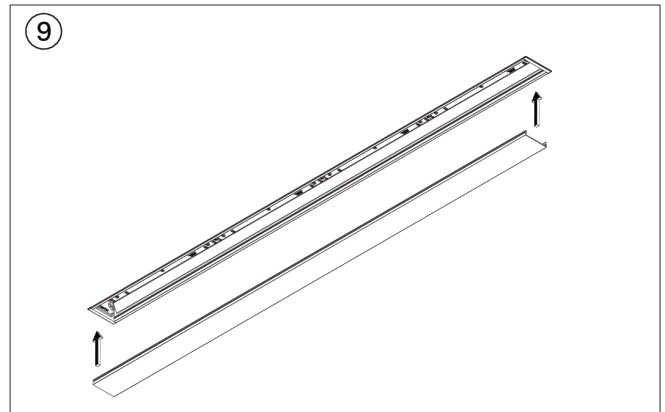
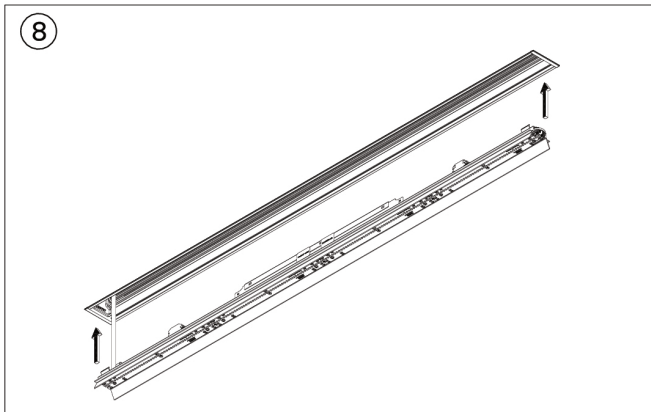
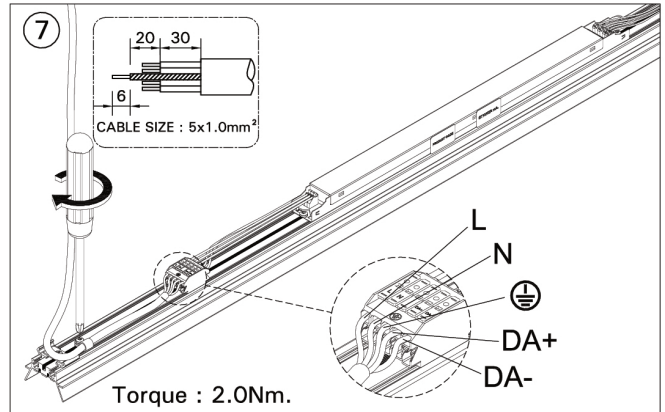
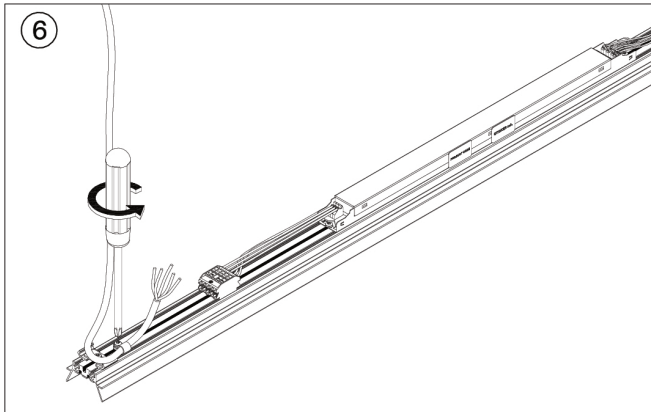
#### NYBRO 2



#### DOWN LIGHT

MODEL NO.	DIMENSION (mm.)				
	L1	L2	L3	L4	PUNCH HOLE
NYB-80127	1188	1182	972	-	2
NYB-80137	1476	1470	1260	-	2
NYB-80147	1764	1758	1548	-	2
NYB-80157	2340	2334	2124	1062	3
NYB-80167	2916	2910	2700	1350	3





Procedure for removing / replacing the light source (LS) / the control gear (CG)

