

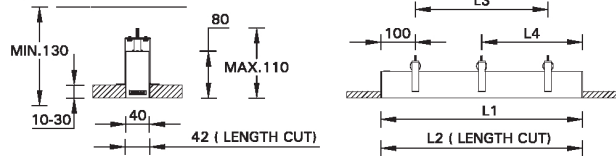
NYBRO 3 - NYB-80222

THAILAND
LIGMAN Lighting Co.,Ltd.
17/2 Moo 4, Monthong,
Bang Nam Prio,ao,
24150 Chachoengsao
Thailand
info@ligman.com

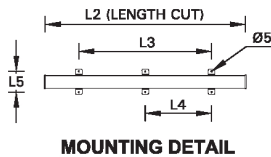
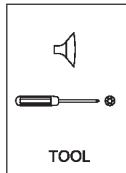
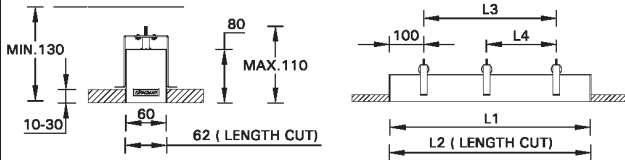


Product drawing (dimensions)

Nybro 3



Nybro 4

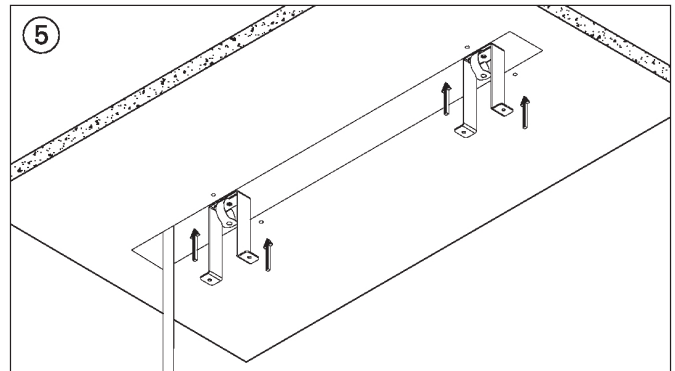
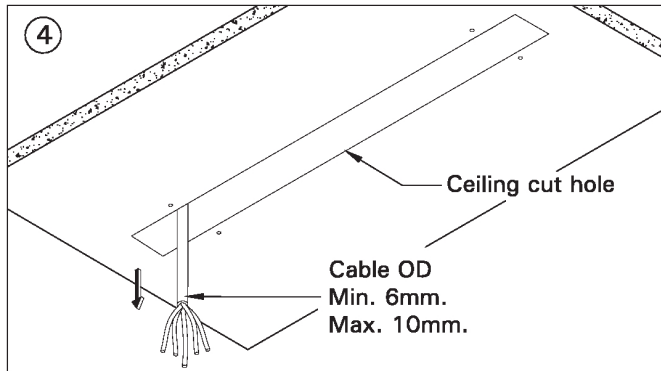
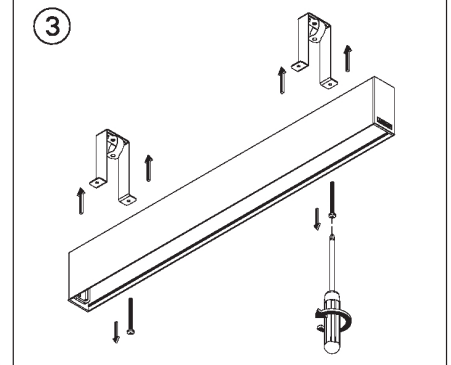
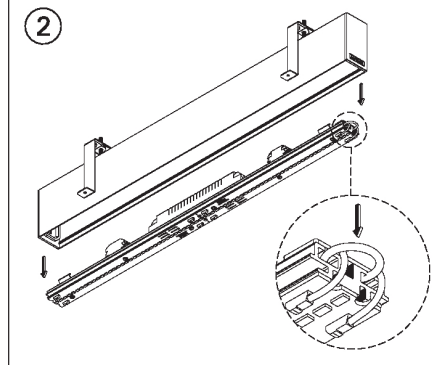
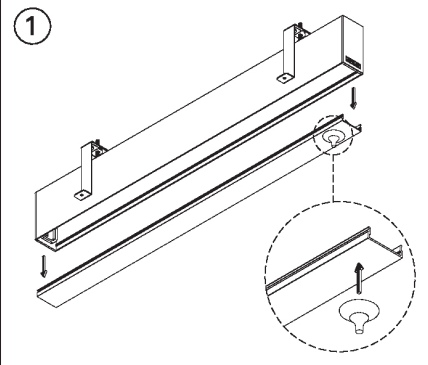


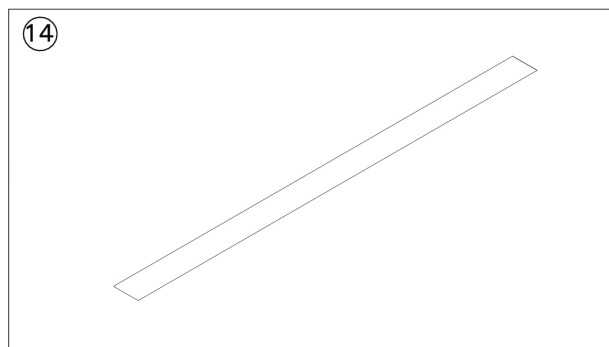
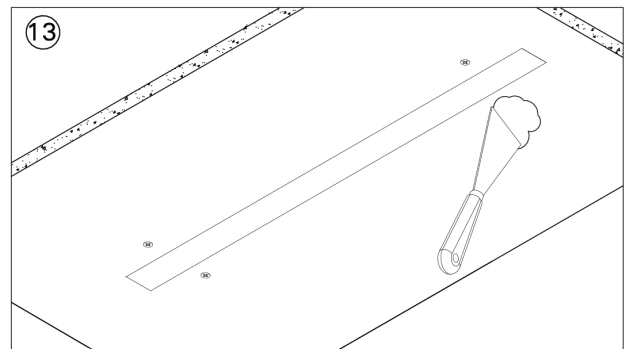
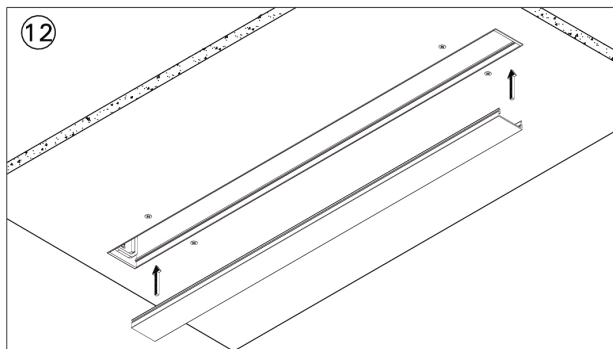
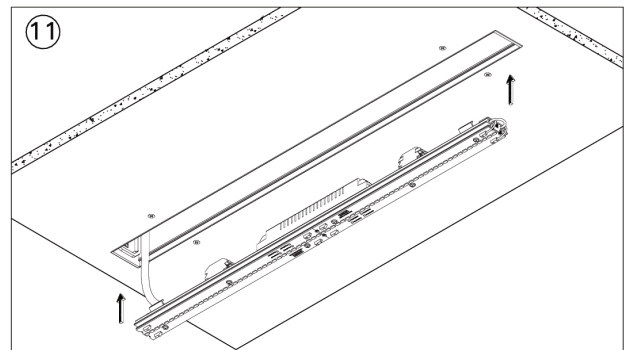
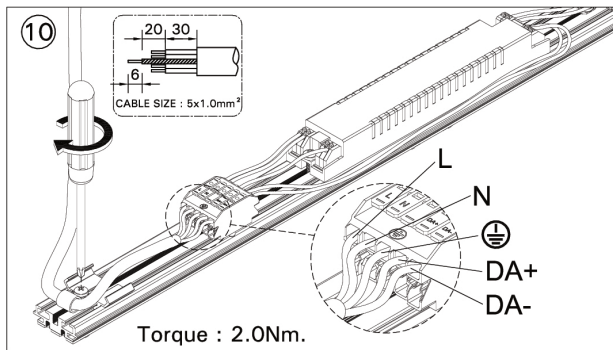
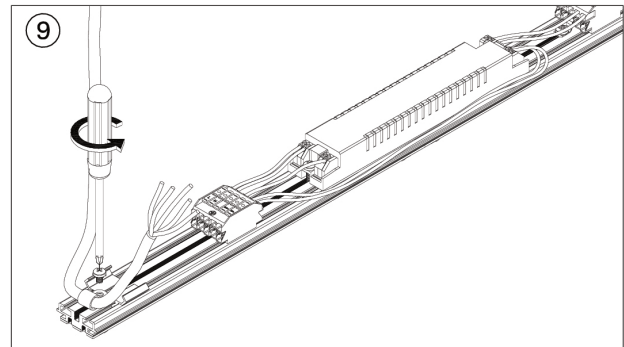
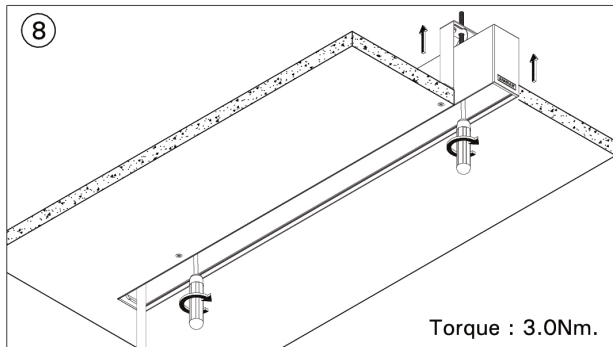
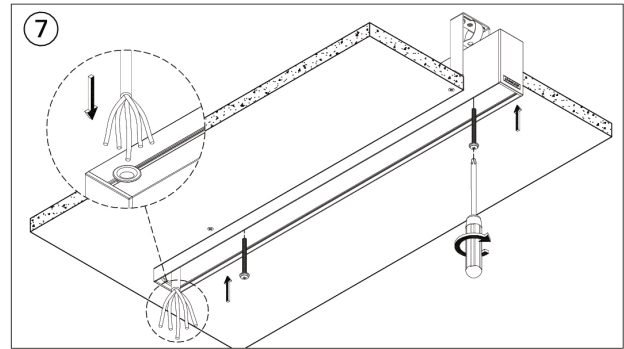
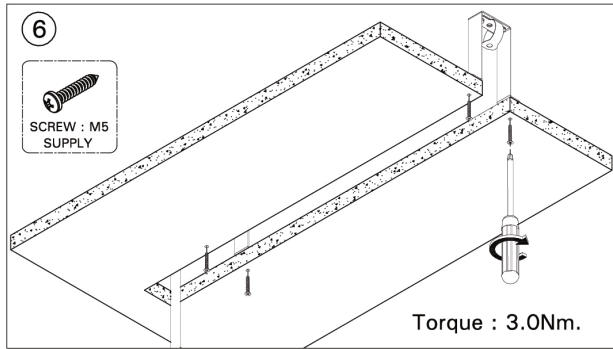
NYBRO 3 DOWN LIGHT

MODEL NO.	DIMENSION (mm.)					
	L1	L2	L3	L4	L5	PUNCH HOLE
NYB-80201	602	604	396	-	62	2
NYB-80202	602	604	396	-	62	2
NYB-80211	890	892	684	-	62	2
NYB-80212	890	892	684	-	62	2
NYB-80221	1178	1180	972	-	62	2
NYB-80222	1178	1180	972	-	62	2
NYB-80231	1466	1468	1260	-	62	2
NYB-80232	1466	1468	1260	-	62	2
NYB-80241	1754	1756	1548	-	62	2
NYB-80242	1754	1756	1548	-	62	2
NYB-80251	2330	2332	2124	1062	62	3
NYB-80252	2330	2332	2124	1062	62	3
NYB-80261	2906	2908	2700	1350	62	3
NYB-80262	2906	2908	2700	1350	62	3

NYBRO 4 DOWN LIGHT

MODEL NO.	DIMENSION (mm.)					
	L1	L2	L3	L4	L5	PUNCH HOLE
NYB-80301	602	604	396	-	62	2
NYB-80302	602	604	396	-	62	2
NYB-80303	602	604	396	-	62	2
NYB-80311	890	892	684	-	62	2
NYB-80312	890	892	684	-	62	2
NYB-80313	890	892	684	-	62	2
NYB-80321	1178	1180	972	-	62	2
NYB-80322	1178	1180	972	-	62	2
NYB-80323	1178	1180	972	-	62	2
NYB-80331	1466	1468	1260	-	62	2
NYB-80332	1466	1468	1260	-	62	2
NYB-80333	1466	1468	1260	-	62	2
NYB-80341	1754	1756	1548	-	62	2
NYB-80342	1754	1756	1548	-	62	2
NYB-80343	1754	1756	1548	-	62	2
NYB-80351	2330	2332	2124	1062	62	3
NYB-80352	2330	2332	2124	1062	62	3
NYB-80353	2330	2332	2124	1062	62	3
NYB-80361	2906	2908	2700	1350	62	3
NYB-80362	2906	2908	2700	1350	62	3
NYB-80363	2906	2908	2700	1350	62	3





Procedure for removing / replacing the light source (LS) / the control gear (CG)

