

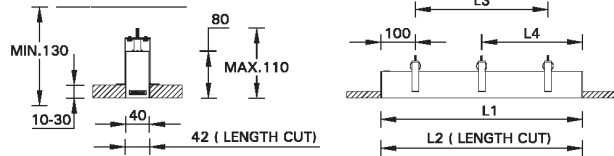
NYBRO 3 - NYB-80231

THAILAND
LIGMAN Lighting Co.,Ltd.
17/2 Moo 4, Monthong,
Bang Nam Prio,ao,
24150 Chachoengsao
Thailand
info@ligman.com

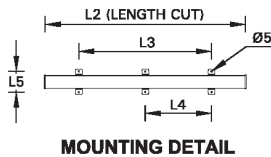
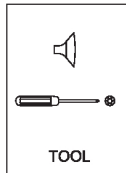
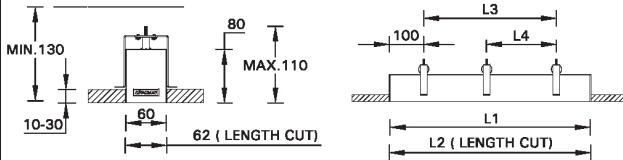


Product drawing (dimensions)

Nybro 3



Nybro 4

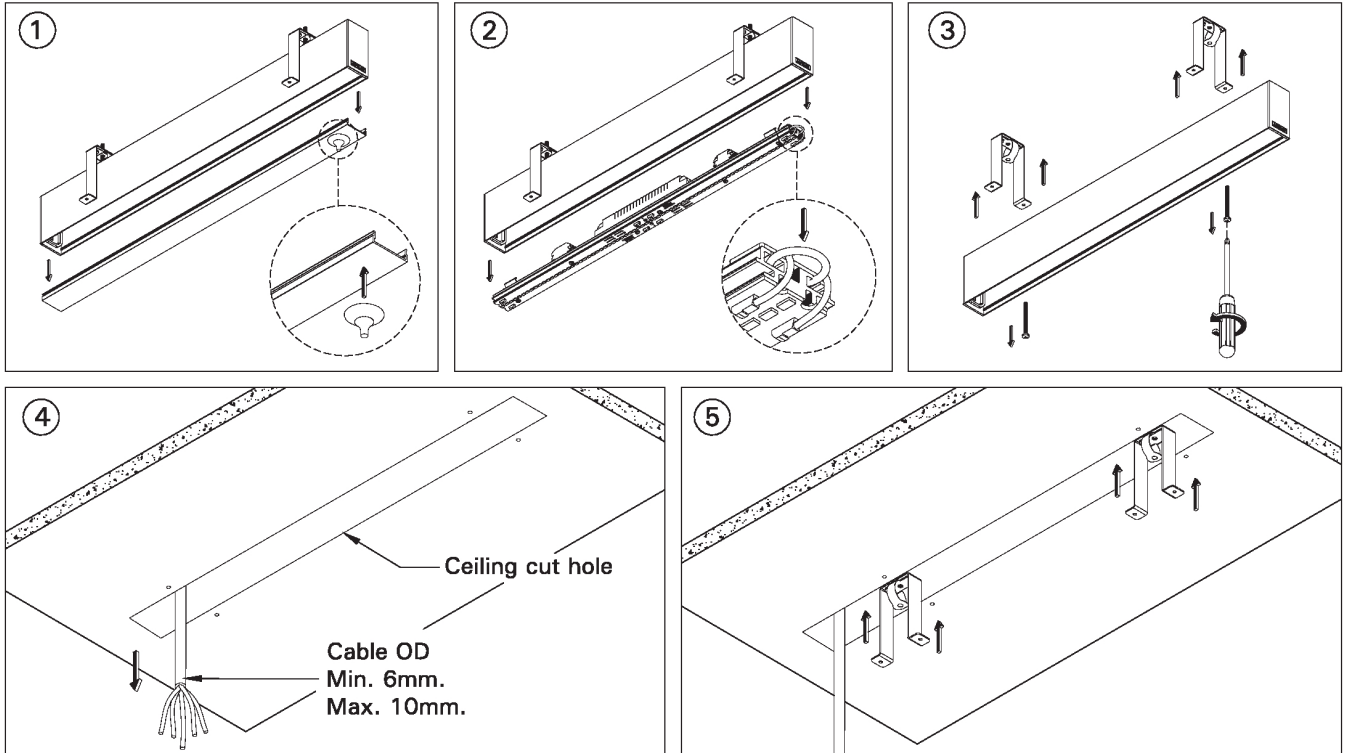


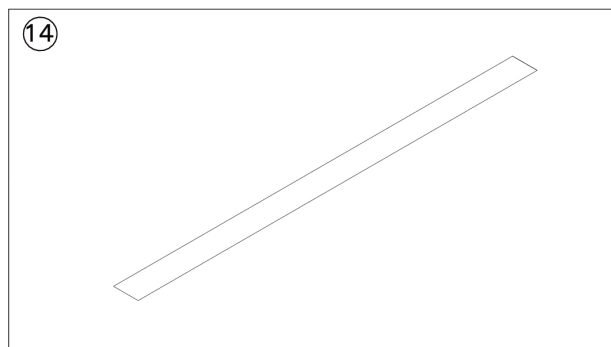
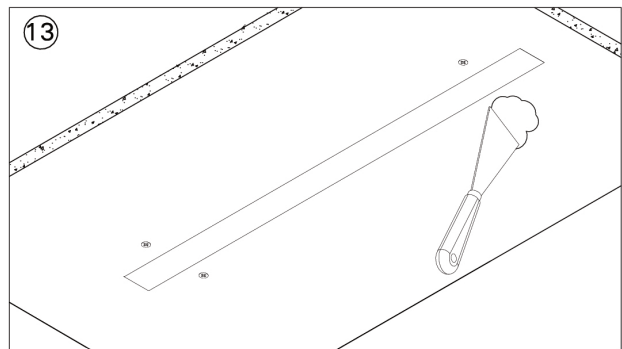
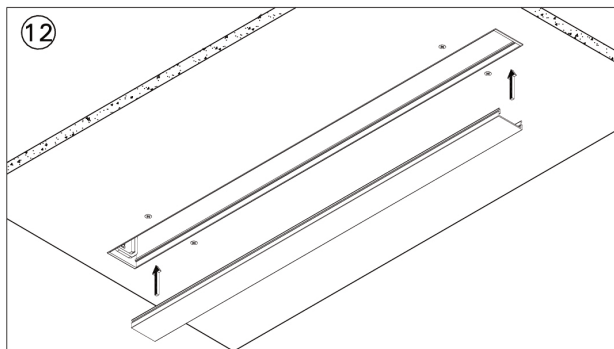
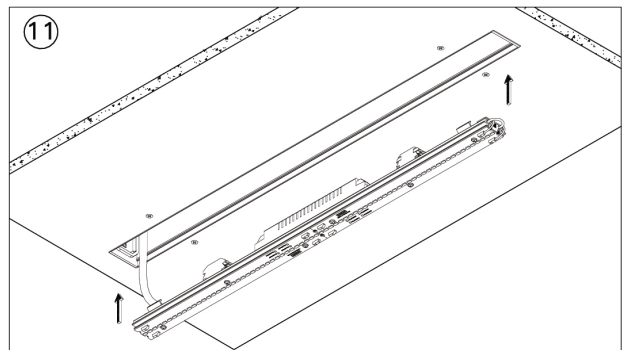
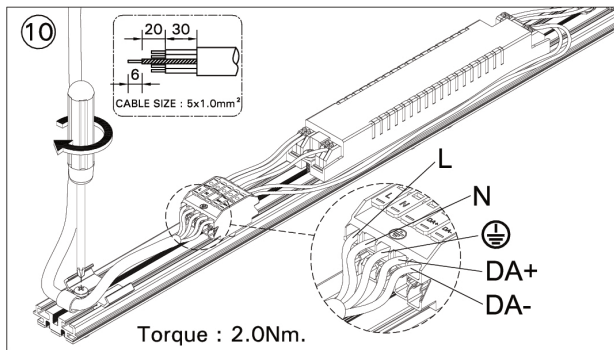
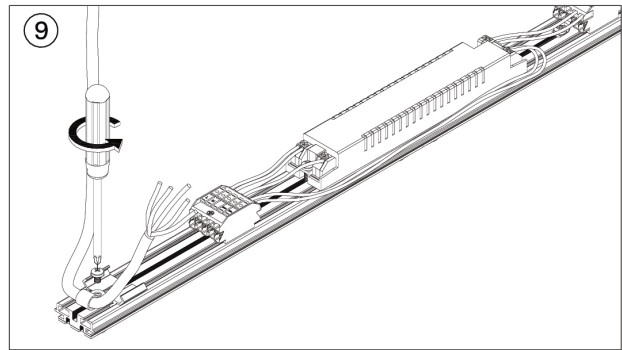
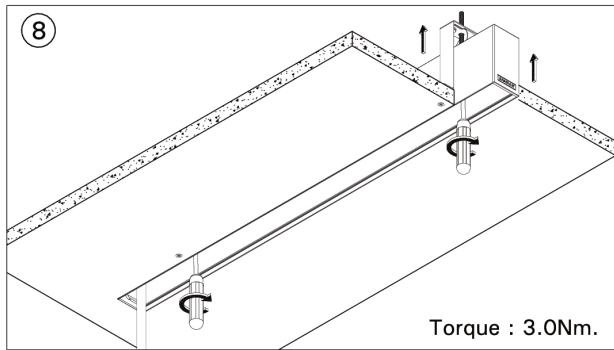
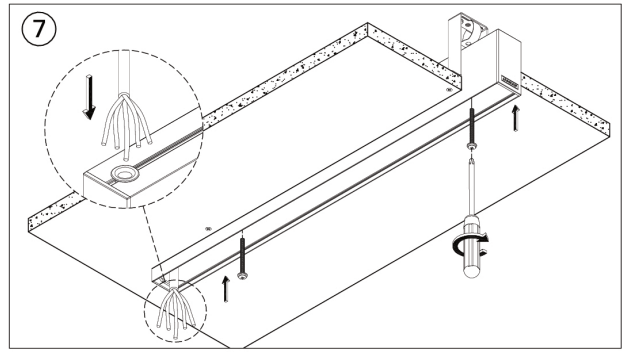
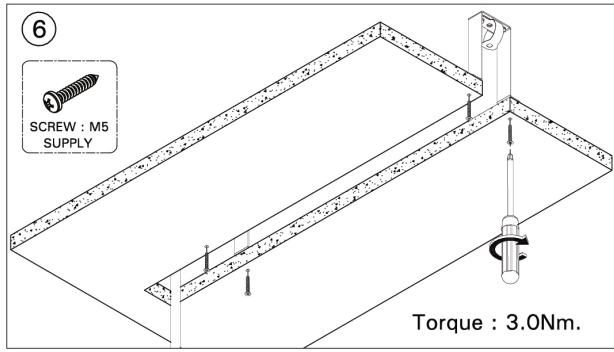
NYBRO 3 DOWN LIGHT

MODEL NO.	DIMENSION (mm.)					
	L1	L2	L3	L4	L5	PUNCH HOLE
NYB-80201	602	604	396	-	62	2
NYB-80202	890	892	684	-	62	2
NYB-80211	1178	1180	972	-	62	2
NYB-80221	1466	1468	1260	-	62	2
NYB-80231	1754	1756	1548	-	62	2
NYB-80241	2330	2332	2124	1062	62	3
NYB-80251	2906	2908	2700	1350	62	3
NYB-80261						
NYB-80262						

NYBRO 4 DOWN LIGHT

MODEL NO.	DIMENSION (mm.)					
	L1	L2	L3	L4	L5	PUNCH HOLE
NYB-80301	602	604	396	-	62	2
NYB-80302	890	892	684	-	62	2
NYB-80303	1178	1180	972	-	62	2
NYB-80311	1466	1468	1260	-	62	2
NYB-80312	1754	1756	1548	-	62	2
NYB-80313	2330	2332	2124	1062	62	3
NYB-80321	2906	2908	2700	1350	62	3
NYB-80322						
NYB-80323						
NYB-80331						
NYB-80332						
NYB-80333						
NYB-80341						
NYB-80342						
NYB-80343						
NYB-80351	2330	2332	2124	1062	62	3
NYB-80352	2906	2908	2700	1350	62	3
NYB-80353						
NYB-80361						
NYB-80362						
NYB-80363						





Procedure for removing / replacing the light source (LS) / the control gear (CG)

