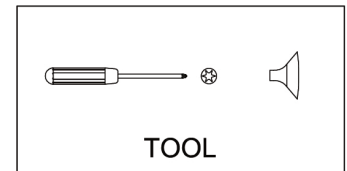
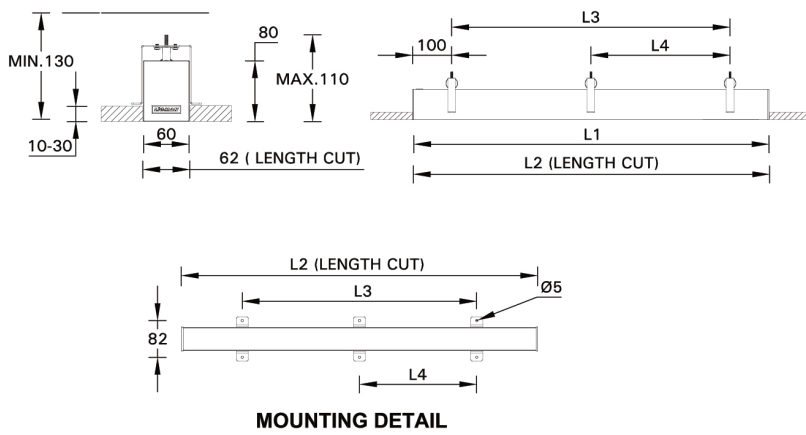


NYBRO 4 - NYB-80356

THAILAND
LIGMAN Lighting Co.,Ltd.
17/2 Moo 4, Monthong,
Bang Nam Prio,
24150 Chachoengsao
Thailand
info@ligman.com

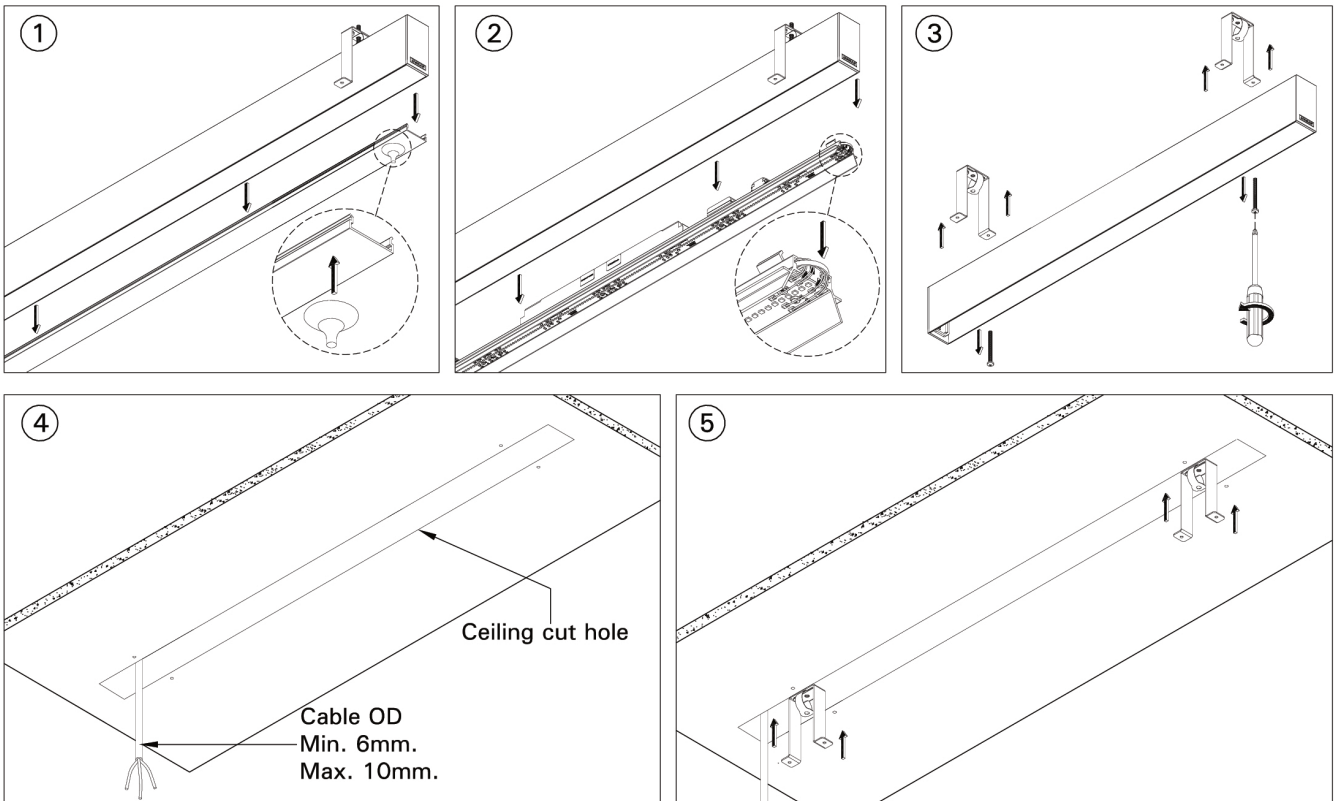


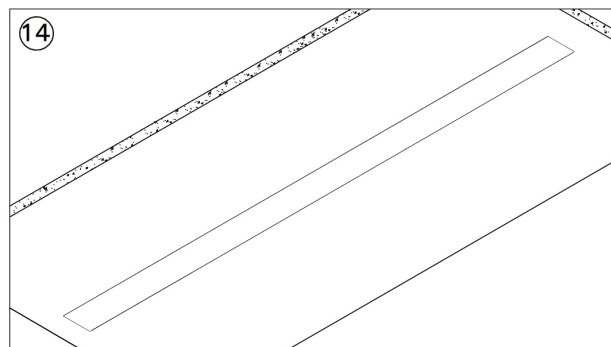
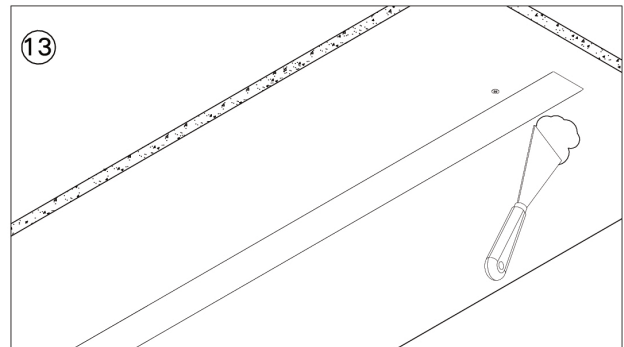
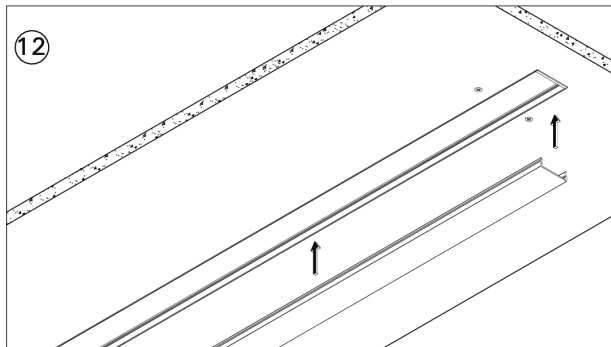
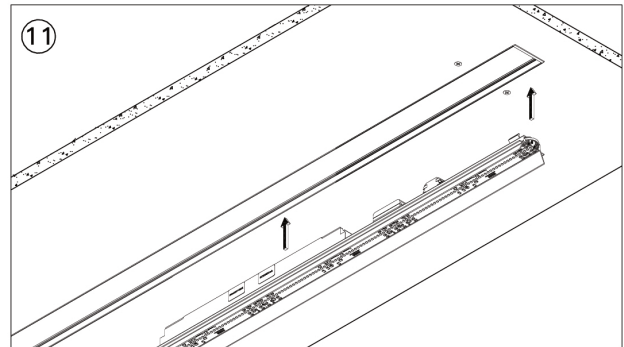
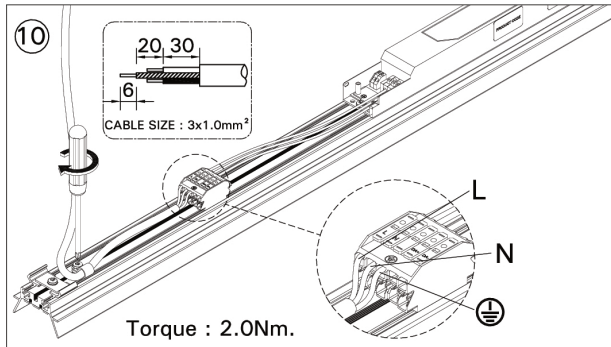
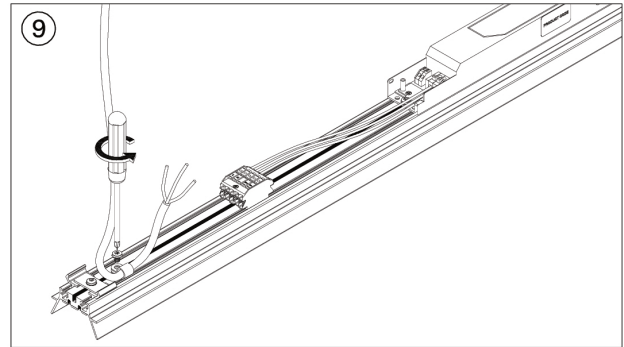
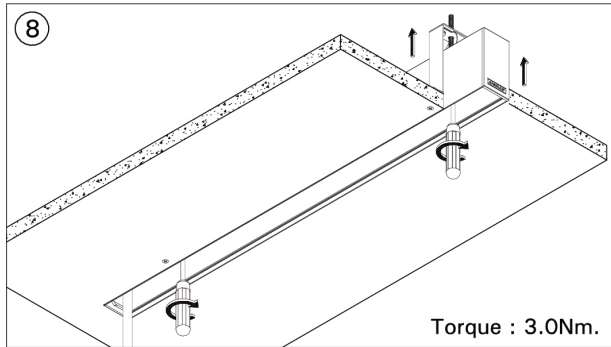
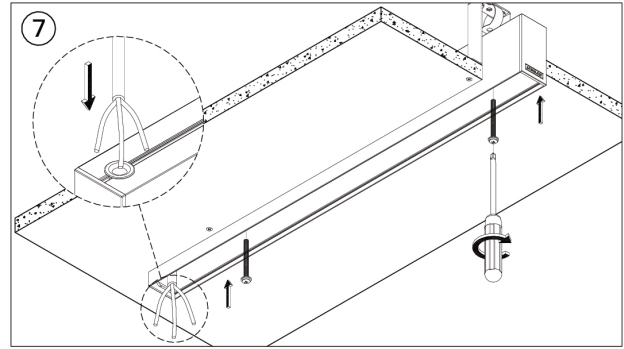
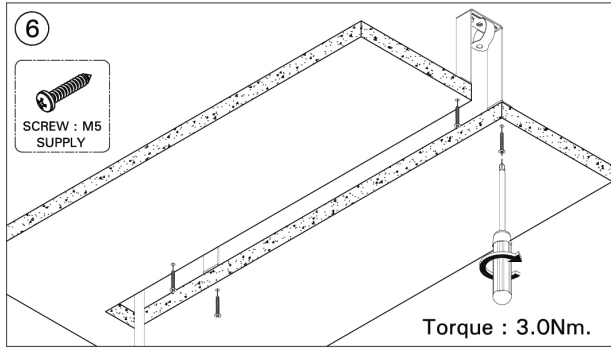
Product drawing (dimensions)



DOWN LIGHT

MODEL NO.	DIMENSION (mm.)				
	L1	L2	L3	L4	PUNCH HOLE
NYB-80326	1178	1180	972	-	2
NYB-80336	1466	1468	1260	-	2
NYB-80346	1754	1756	1548	-	2
NYB-80356	2330	2332	2124	1062	3
NYB-80366	2906	2908	2700	1350	3





Procedure for removing / replacing the light source (LS) / the control gear (CG)

