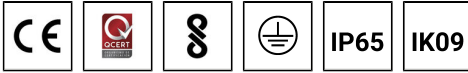


ABACUS



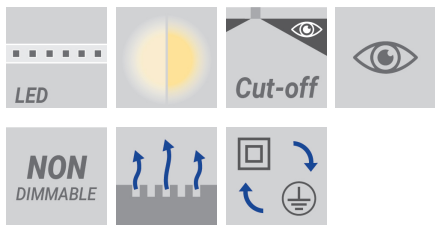
Surface-mounted slim integral-driver wall luminaires. Beautiful and contemporary surface wall fixtures suitable for any location.



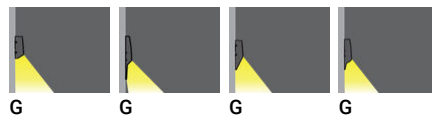
Luminaire Structure

- Die-cast aluminium frame and body
- Pre-treated before powder coating ensuring high corrosion resistance
- Single cable entry
- Stainless steel fasteners in grade 304 with zinc flake coating (ZFC)
- Durable silicone rubber gasket
- Frosted glass diffuser
- Integral control gear
- Optional surface mounting box for easy wiring or conduit connection when wiring from behind is not possible

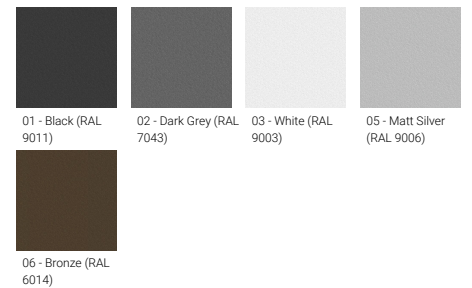
Feature



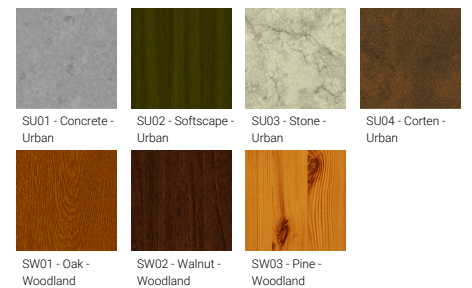
Optic



Product colour



Special finishes upon request



ABACUS

Technical information

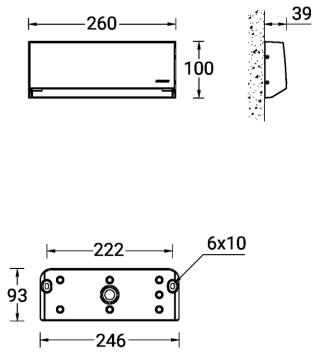
	Model number	Light source	Power	Lumen	Optic	CCT / CRI	Dimming type	Weight
Large								
ABACUS 3	AB-30021	30 LED	11 W	765 - 783 lm	G [70°x102°]	3000K CRI80, 4000K CRI80	On/Off	1.7 kg
Medium								
ABACUS 1	AB-30001	30 LED	11 W	765 - 783 lm	G [70°x102°]	3000K CRI80, 4000K CRI80	On/Off	1.3 kg
Small								
ABACUS 6	AB-30031	12 LED	7 W	310 - 323 lm	G [92°x54°]	3000K CRI80, 4000K CRI80	On/Off	0.9 kg
ABACUS 7	AB-30041	12 LED	7 W	315 - 329 lm	G [92°x54°]	3000K CRI80, 4000K CRI80	On/Off	0.9 kg

Accessory

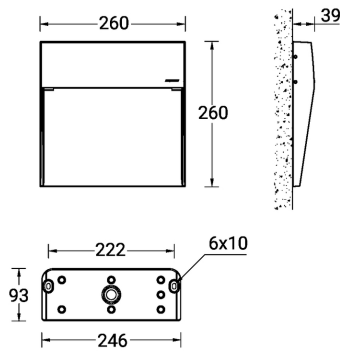
	 Surface mounting box for easy cabling (ABACUS 1) SCE-ABACUS-1	 Surface mounting box for easy cabling (ABACUS 3) SCE-ABACUS-3	 Surface mounting box for easy cabling (ABACUS 6) SCE-ABACUS-6	 Surface mounting box for easy cabling (ABACUS 7) SCE-ABACUS-7
AB-30001	•			
AB-30021		•		
AB-30031			•	
AB-30041				•

ABACUS

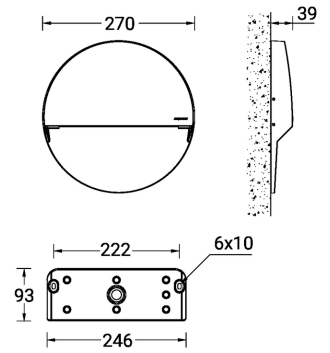
AB-30001



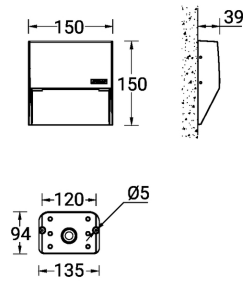
AB-30011



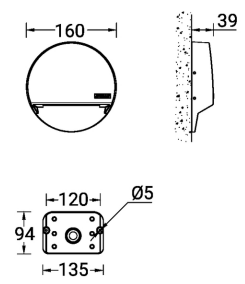
AB-30021



AB-30031



AB-30041



ABACUS



ABACUS
Bollards

Range-extending bollard version of our ground-breaking wall family. Beautiful and contemporary bollard mounted fixtures suitable for any location.

<https://www.ligman.com/abacus-bollards-ab-bo3/>