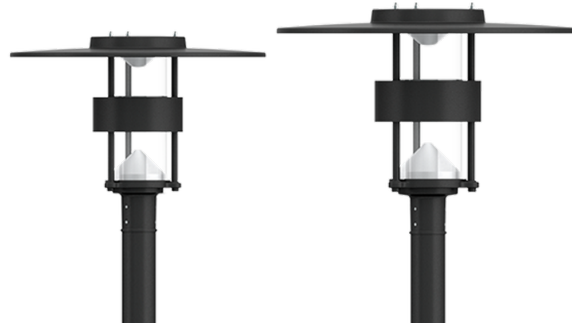


# ANDERSON



Smart ambient lighting post top.  
Fashionable and sleek urban post top  
delivering controlled ambient area lighting.

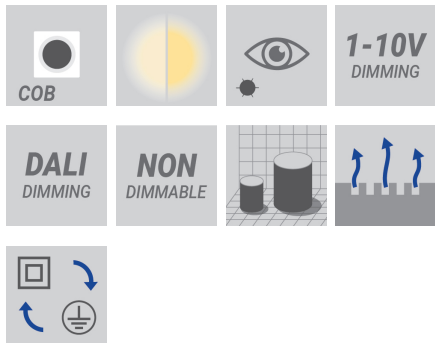


microPrim™

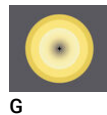
## Luminaire Structure

- Die-cast aluminium housing
- Extruded aluminium column
- Pre-treated before powder coating ensuring high corrosion resistance
- Stainless steel fasteners in grade 304 with zinc flake coating (ZFC)
- Durable silicone rubber gasket
- Anodised, high-purity aluminium reflector
- Clear UV-stabilised polycarbonate diffuser
- White coated indirect shade on the top of luminaire

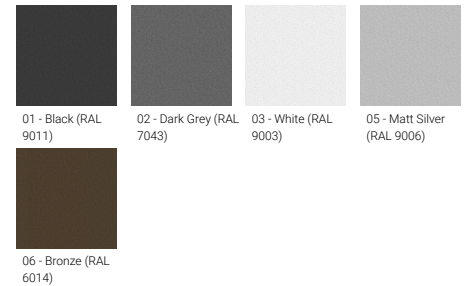
## Feature



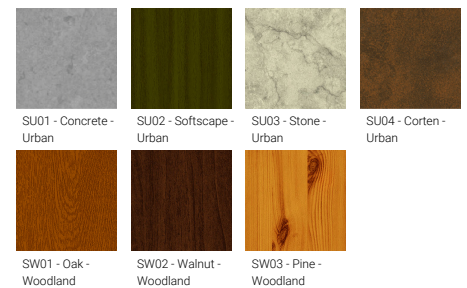
## Optic



## Product colour



## Special finishes upon request



# ANDERSON

## Technical information

	Model number	Light source	Power	Lumen	Optic	CCT / CRI	Dimming type	Weight
<b>Large</b>								
ANDERSON 2	<b>AD-20011</b>	2 COB	82 W	4928 - 5273 lm	G [360°]	3000K CRI80, 4000K CRI80	On/Off, 1-10V, DALI	18.0 kg
<b>Medium</b>								
ANDERSON 1	<b>AD-20001</b>	2 COB	41 W	2801 - 2997 lm	G [360°]	3000K CRI80, 4000K CRI80	On/Off	11.8 kg

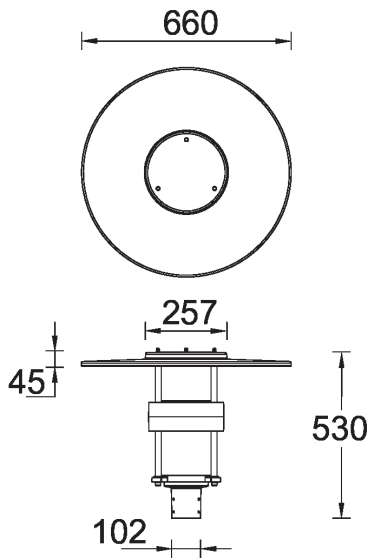
## Accessory



AD-20001

AD-20011

AD-20001



AD-20011

