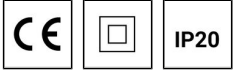
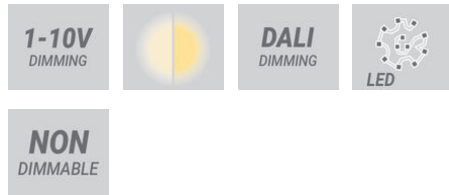
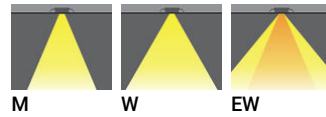


BRIGHTON

A family of clean lined fixtures with recessed anti-glare optics. Perfect solution for reduced visible glare in contemporary interiors.

**Luminaire Structure**

- Extruded aluminium housing with powder coating
- Stainless steel fasteners in grade 316
- Remote driver
- Toolless flush-mount installation for 1-25 mm false ceilings
- Modular design for easy maintenance


Feature**Optic****Product colour**

BRIGHTON

Technical information

	Model number	Light source	Power	Lumen	Optic	CCT / CRI	Dimming type	Weight
BRIGHTON 3	BRI-80001	4 LED	11 W	954 - 1086 lm	M [26°], W [52°], EW [69°]	3000K CRI80, 4000K CRI80	On/Off, 1-10V, DALI	0.57 kg
BRIGHTON 4	BRI-80002	4 LED	14 W	1192 - 1358 lm	M [26°], W [52°], EW [69°]	3000K CRI80, 4000K CRI80	On/Off, 1-10V, DALI	0.57 kg

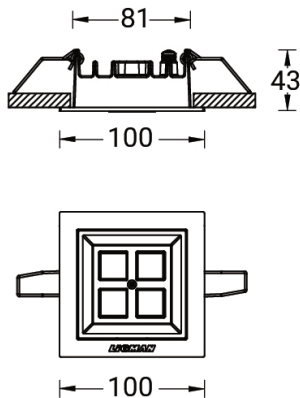
Accessories



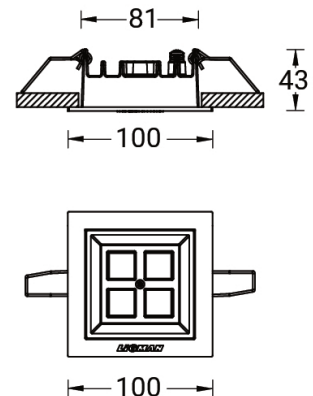
DALI Control System
Control-DALI

BRI-80001	•
BRI-80002	•

BRI-80001



BRI-80002



BRIGHTON

BRIGHTON**Pendant luminaires**

A family of clean lined fixtures with recessed anti-glare optics. Perfect solution for reduced visible glare in contemporary interiors.

<https://www.ligman.com/brighton-pendant-luminaires-brig-pen3/>