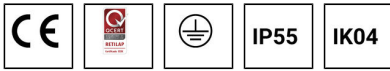


# DUOMO



Compact, screened surface wall mounted fixtures. Two residential-scaled sizes, providing soft downward and vertical illumination.

## Luminaire Structure

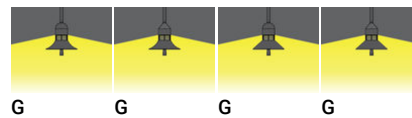
- Die-cast aluminium housing
- Pre-treated before powder coating ensuring high corrosion resistance
- Two cable entries for through wiring
- Stainless steel fasteners in grade 316
- Durable silicone rubber gasket
- Opal toughened glass diffuser
- Integral control gear



## Feature



## Light symbol



## Product colour



## Special finishes upon request



We reserve the right to make technical and design changes.

01:13, 30-08-2021

<https://www.ligman.com/duomo-shepherds-crook-surface-wall-luminaires-duo-su3/>

**Europe**  
LIGMAN EUROPE s.r.o.  
VGP Park Ústí nad Labem  
P 2 120  
40317, Přestanov  
Czech Republic  
+420 477 071 500  
[sales.cz@ligman.com](mailto:sales.cz@ligman.com)

**ASIA PACIFIC**  
LIGMAN Lighting Co.,Ltd.  
17/2 Moo4 Monthong  
Bangnampreaw  
24150, Chachoengsao  
Thailand  
+66 2 108 6700  
[info@ligman.com](mailto:info@ligman.com)

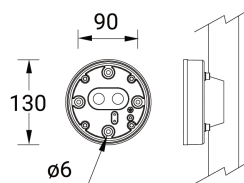
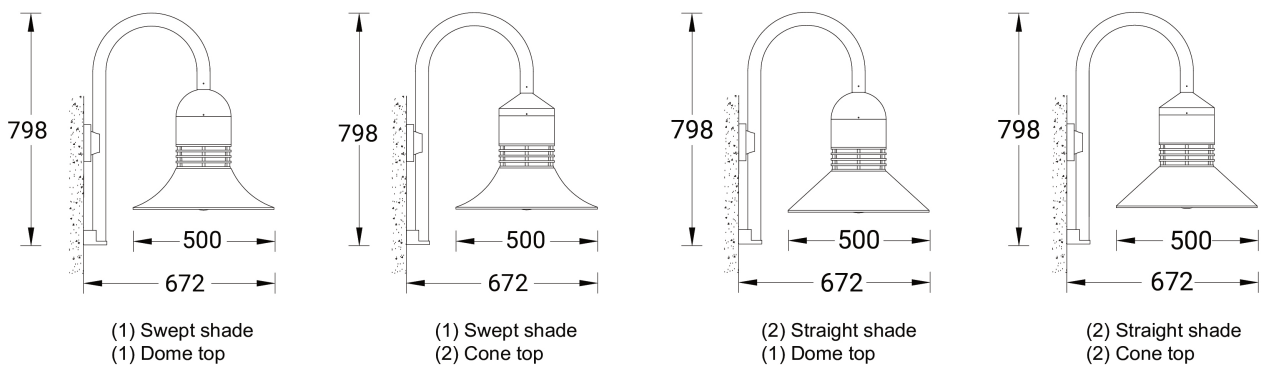
# DUOMO

## Technical information

	Model number	Light source	Power	Lumen	Optic	CCT / CRI	Dimming type	Weight
<b>Sheppard Crook - Medium - Straight shade - Cone top</b>								
DUOMO 8	DU-30206-2-2	1 COB	41 W	1763 - 1785 lm	G [128°]	3000K CRI80, 4000K CRI80	DALI, 1-10V, On/Off	9.6 kg
<b>Sheppard Crook - Medium - Straight shade - Dome top</b>								
DUOMO 8	DU-30206-2-1	1 COB	41 W	1763 - 1785 lm	G [128°]	3000K CRI80, 4000K CRI80	DALI, 1-10V, On/Off	9.6 kg
<b>Sheppard Crook - Medium - Swept shade - Cone top</b>								
DUOMO 8	DU-30206-1-2	1 COB	41 W	1635 - 1654 lm	G [128°]	3000K CRI80, 4000K CRI80	DALI, 1-10V, On/Off	9.6 kg
<b>Sheppard Crook - Medium - Swept shade - Dome top</b>								
DUOMO 8	DU-30206-1-1	1 COB	41 W	1635 - 1654 lm	G [128°]	3000K CRI80, 4000K CRI80	DALI, 1-10V, On/Off	9.6 kg

# DUOMO

## DUOMO 8



Mounting detail

We reserve the right to make technical and design changes.

01:13, 30-08-2021

<https://www.ligman.com/duomo-shepherds-crook-surface-wall-luminaires-duo-su3/>

**Europe**  
LIGMAN EUROPE s.r.o.  
VGP Park Ústí nad Labem  
P 2 120  
40317, Přestanov  
Czech Republic  
+420 477 071 500  
[sales.cz@ligman.com](mailto:sales.cz@ligman.com)

**ASIA PACIFIC**  
LIGMAN Lighting Co.,Ltd.  
17/2 Moo4 Monthong  
Bangnampreaw  
24150, Chachoengsao  
Thailand  
+66 2 108 6700  
[info@ligman.com](mailto:info@ligman.com)

# DUOMO



DUOMO

**Small and medium shade wall luminaires**

Compact, screened surface wall mounted fixtures. Two residential-scaled sizes, providing soft downward and vertical illumination.

<https://www.ligman.com/duomo-small-and-medium-shade-wall-luminaires-du-su3/>

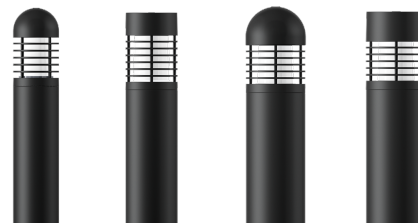


DUOMO

**Pendant luminaires**

Compact, screened surface pendant fixtures. Residential-scale, providing soft downward and vertical illumination.

<https://www.ligman.com/duomo-pendant-luminaires-du-pe3/>

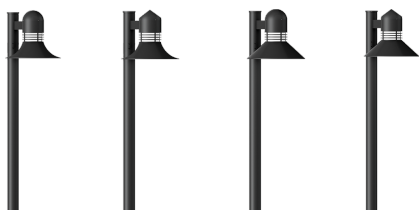


DUOMO

**Bollards**

Compact, screened bollard fixtures. Residential-scale, providing soft downward and vertical illumination.

<https://www.ligman.com/duomo-bollards-du-bo3/>



DUOMO

**Post top luminaires**

Compact, screened post top fixtures. Residential-scale family providing soft downward and vertical illumination.

<https://www.ligman.com/duomo-post-top-luminaires-du-po3/>



DUOMO

**Shepherd's crook post top luminaire**

Compact, screened post top fixtures. Residential-scale family providing soft downward and vertical illumination.

<https://www.ligman.com/duomo-shepherds-crook-crook-post-top-luminaire-du-po3/>