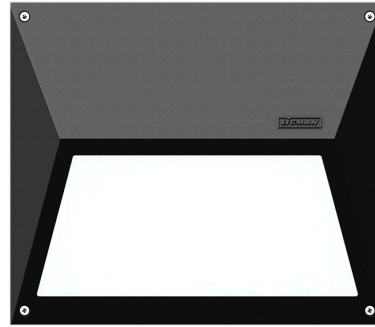


**ECO**



Robust urban wall semi-recessed pathway and stair luminaire. Designed to deliver edge to edge task levels from a classic form-factor.

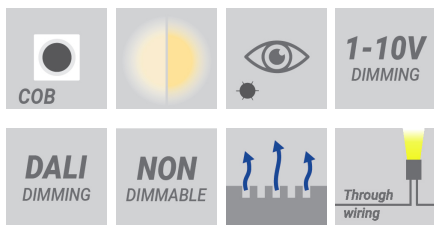


microPrim™

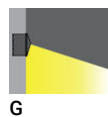
**Luminaire Structure**

- Die-cast aluminium housing
- Pre-treated before powder coating ensuring high corrosion resistance
- Two cable entries for through wiring
- Stainless steel fasteners in grade 304 with zinc flake coating (ZFC)
- Durable silicone rubber gasket
- Toughened linear spread lens
- Integral control gear

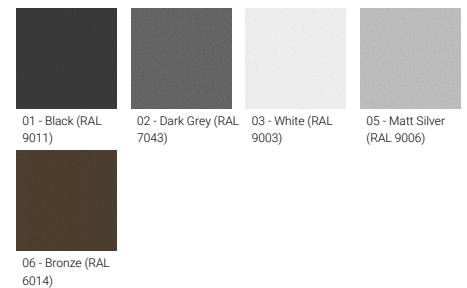
**Feature**



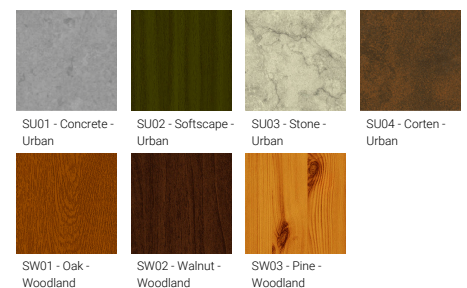
**Optic**



**Product colour**



**Special finishes upon request**




**ECO**

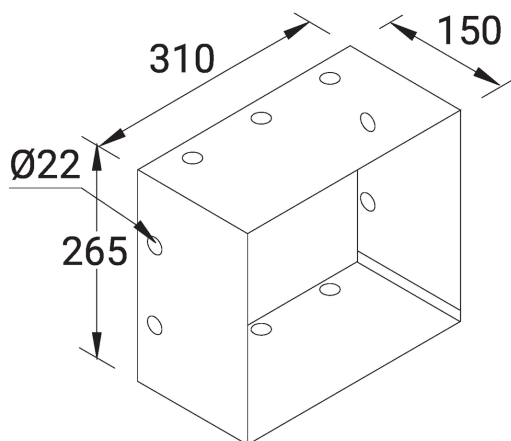
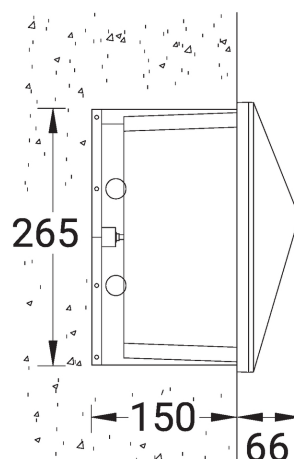
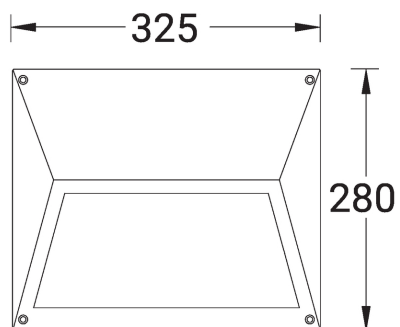
**Technical information**

|                           | Model number    | Light source | Power | Lumen          | Optic       | CCT / CRI                   | Dimming type        | Weight |
|---------------------------|-----------------|--------------|-------|----------------|-------------|-----------------------------|---------------------|--------|
| <b>With recessing box</b> |                 |              |       |                |             |                             |                     |        |
| ECO 1                     | <b>EC-40581</b> | 96 LED       | 22 W  | 1514 - 1593 lm | G [86°x50°] | 3000K CRI80,<br>4000K CRI80 | On/Off, 1-10V, DALI | 4.8 kg |

**Accessory**

|          |  |
|----------|--|
|          |  <p>DALI Control System<br/><b>Control-DALI</b></p> |
| EC-40581 | •  |

**EC-40581**



**ECO**

---

ECO  
**Bollards**

---

Robust urban bollard pathway and stair luminaire. Designed to deliver edge to edge task levels from a classic form-factor.

<https://www.ligman.com/eco-bollards-ec-bo3/>