

**KWH**



Rounded profile linear post-top luminaire. Robust, tiltable body offered in different lengths providing multiple optical and professional area lighting solutions.



**Luminaire Structure**

- Die-cast aluminium end-caps
- Extruded aluminium housing
- Pre-treated before powder coating ensuring high corrosion resistance

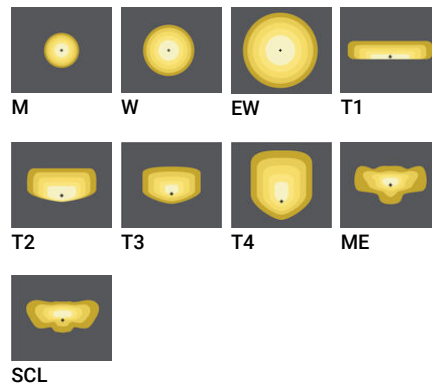
- Single cable entry
- Stainless steel fasteners in grade 304 with zinc flake coating (ZFC)
- Durable silicone rubber gasket
- High-efficiency PMMA lens

- Clear toughened glass
- Integral control gear
- Surge protection 10kV

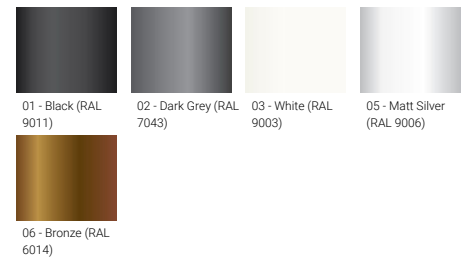
**Feature**



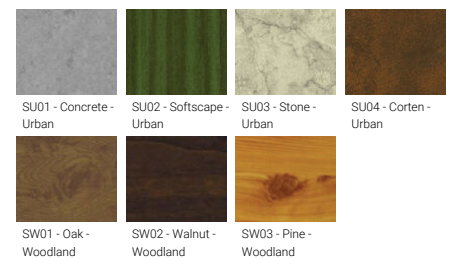
**Optic**



**Product colour**



**Special finishes upon request**



**KWH**

**Technical information**

	Model number	Light source	Power	Lumen	Optic	CCT / CRI	Dimming type	Weight
<b>Large</b>								
KWH 6	<b>KWH-20021</b>	6 x 12 LED	57 W	6422 - 7778 lm	M [31°, W [56°, EW [107°, T1 [147° x 78°, T2 [139° x 57°, T3 [133° x 88°, T4 [104° x 67°, ME [141° x 60°, SCL [154° x 68°]	3000K CRI80, 4000K CRI80	On/Off, 1-10V, DALI	12.40 kg
<b>Medium</b>								
KWH 5	<b>KWH-20011</b>	4 x 12 LED	38 W	4280 - 5182 lm	M [31°, W [55°, EW [107°, T1 [147° x 77°, T2 [139° x 57°, T3 [133° x 88°, T4 [104° x 66°, ME [141° x 60°, SCL [154° x 68°]	3000K CRI80, 4000K CRI80	On/Off, 1-10V, DALI	8.27 kg
<b>Small</b>								
KWH 4	<b>KWH-20001</b>	2 x 12 LED	19 W	2140 - 2591 lm	M [31°, W [55°, EW [107°, T1 [147° x 77°, T2 [139° x 57°, T3 [133° x 88°, T4 [104° x 66°, ME [141° x 60°, SCL [154° x 68°]	3000K CRI80, 4000K CRI80	On/Off, 1-10V, DALI	5.98 kg

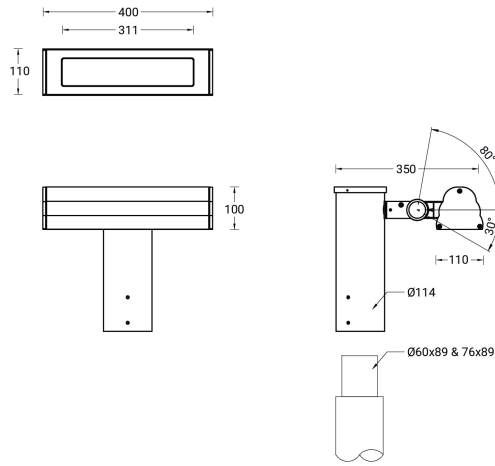
**Accessories**



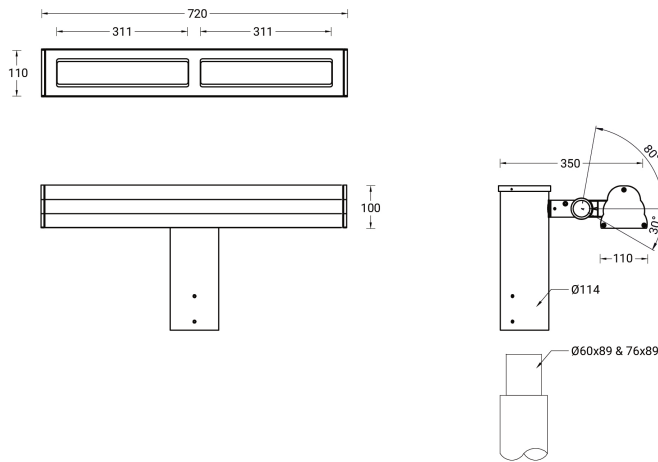
DALI Control System  
**Control-DALI**

KWH-20001	•
KWH-20011	•
KWH-20021	•

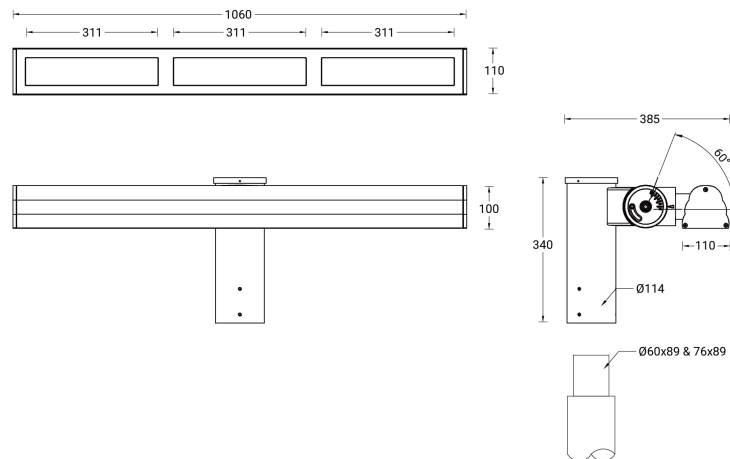
KWH-20001



KWH-20011



KWH-20021



**KWH**

KWH

**Surface facade luminaires**

Rounded profile linear surface-mounted luminaire. Robust, tiltable body offered in different lengths providing multiple optical and professional lighting solutions for building, area and facade lighting.

<https://www.ligman.com/kwh-surface-facade-luminaires-kwh-su3/>



KWH

**Floodlights, projectors**

Linear, rounded profile luminaire with surface-mounting bracket. Robust, tiltable body, offered in different lengths providing multiple optical and professional lighting solutions for building, area and facade lighting.

<https://www.ligman.com/kwh-floodlights-projectors-kw-pr3/>