



Linear, rounded profile luminaire with surface-mounting bracket. Robust, tiltable body, offered in different lengths providing multiple optical and professional lighting solutions for building, area and facade lighting.

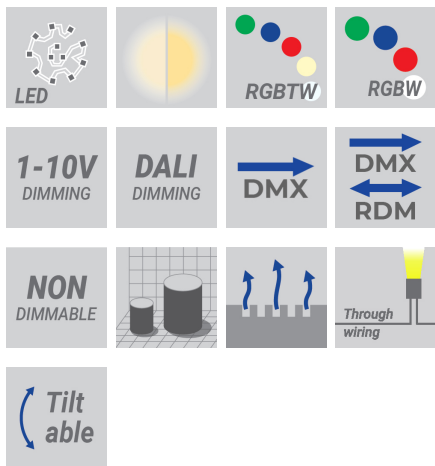


microVos microPrim™

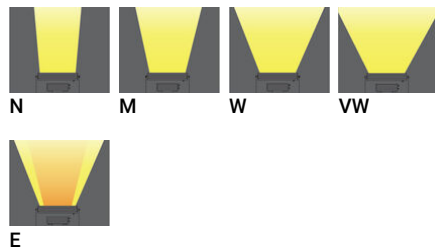
Luminaire Structure

- Die-cast aluminium end-caps
- Extruded aluminium housing
- Pre-treated before powder coating ensuring high corrosion resistance
- Thermal heat dissipation body
- Single or double head configuration for all three sizes
- Each of the heads can be aimed, adjusted and locked for precise aiming
- Single cable entry, through wiring upon request
- Stainless steel fasteners in grade 304 with zinc flake coating (ZFC)
- Durable silicone rubber gasket
- High-efficiency PMMA lens
- Clear toughened glass
- Integral control gear
- Hot-dipped galvanised steel mounting bracket allows for ceiling, wall or surface mounting

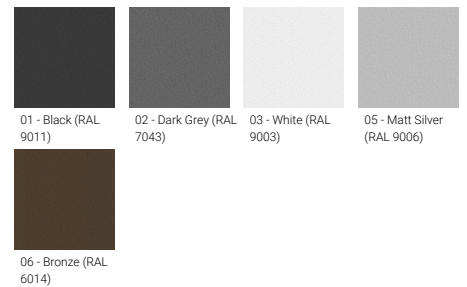
Feature



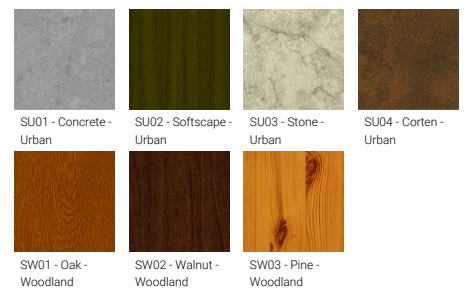
Optic



Product colour



Special finishes upon request



Technical information

	Model number	Light source	Power	Lumen	Optic	CCT / CRI	Dimming type	Weight
Large - 1 head								
KWH 11	KWH-50041	8 x 9 LED	94 W	9748 - 11828 lm	N [10°], M [17°], W [33°], VW [67°x59°], E [43°x12°]	3000K CRI80, 4000K CRI80	On/Off, 1-10V, DALI	12.2 kg
Large - 1 head - RGB Tunable White								
KWH 11	KWH-50043	80 LED	92 W	5840 - 7105 lm	N [9°], M [15°], W [31°], VW [63°x6.5°], E [10°x44°]	RGBTW	DMX, DMX/RDM	12.2 kg 
Large - 1 head - RGBW								
KWH 11	KWH-50042	80 LED	73 W	4401 - 5635 lm	N [8°], M [17°], W [26°], VW [65°], E [43°x11°]	RGBW30, RGBW40	DMX, DMX/RDM	12.2 kg 
Large - 2 heads								
KWH 12	KWH-50051	2 x 72 LED	188 W	19496 - 23656 lm	N [10°], M [17°], W [33°], VW [67°x59°], E [43°x12°]	3000K CRI80, 4000K CRI80	On/Off, 1-10V, DALI	18.0 kg
Large - 2 heads - RGB Tunable White								
KWH 12	KWH-50053	2 x 80 LED	184 W	11680 - 14210 lm	N [9°], M [15°], W [31°], VW [63°x6.5°], E [10°x44°]	RGBTW	DMX, DMX/RDM	18.0 kg 
Large - 2 heads - RGBW								
KWH 12	KWH-50052	2 x 80 LED	146 W	8802 - 11270 lm	N [9°], M [16°], W [33°], VW [64°x7.2°], E [10°x43°]	RGBW30, RGBW40	DMX, DMX/RDM	18.0 kg 
Medium - 1 head								
KWH 9	KWH-50021	6 x 9 LED	70 W	7312 - 8873 lm	N [10°], M [17°], W [33°], VW [67°x59°], E [43°x12°]	3000K CRI80, 4000K CRI80	On/Off, 1-10V, DALI	9.2 kg
Medium - 1 head - RGB Tunable White								
KWH 9	KWH-50023	60 LED	69 W	4380 - 5329 lm	N [9°], M [15°], W [31°], VW [63°x6.5°], E [10°x44°]	RGBTW	DMX, DMX/RDM	9.2 kg 
Medium - 1 head - RGBW								
KWH 9	KWH-50022	60 LED	55 W	3300 - 4226 lm	N [9°], M [16°], W [33°], VW [64°x7.2°], E [10°x43°]	RGBW30, RGBW40	DMX, DMX/RDM	9.2 kg 
Medium - 2 heads								
KWH 10	KWH-50031	12 x 9 LED	140 W	14624 - 17746 lm	N [10°], M [17°], W [33°], VW [67°x59°], E [43°x12°]	3000K CRI80, 4000K CRI80	On/Off, 1-10V, DALI	14.1 kg
Medium - 2 heads - RGB Tunable White								
KWH 10	KWH-50033	2 x 60 LED	138 W	8760 - 10658 lm	N [9°], M [15°], W [31°], VW [63°x6.5°], E [10°x44°]	RGBTW	DMX, DMX/RDM	14.1 kg 
Medium - 2 heads - RGBW								

KWH

KWH 10	KWH-50032	2 x 60 LED	110 W	6600 - 8452 lm	N [9°], M [16°], W [33°], VW [64°x72°], E [10°x43°]	RGBW30, RGBW40	DMX, DMX/RDM	14.1 kg	
Small - 1 head									
KWH 7	KWH-50001	4 x 9 LED	47 W	4874 - 5915 lm	N [10°], M [17°], W [33°], VW [59°x68°], E [12°x43°]	3000K CRI80, 4000K CRI80	On/Off, 1-10V, DALI	7.2 kg	
Small - 1 head - RGB Tunable White									
KWH 7	KWH-50003	40 LED	46 W	2920 - 3552 lm	N [9°], M [15°], W [31°], VW [63°x65°], E [10°x44°]	RGBTW	DMX, DMX/RDM	7.2 kg	
Small - 1 head - RGBW									
KWH 7	KWH-50002	40 LED	37 W	2201 - 2817 lm	N [9°], M [16°], W [33°], VW [64°x72°], E [10°x43°]	RGBW30, RGBW40	DMX, DMX/RDM	7.2 kg	
Small - 2 heads									
KWH 8	KWH-50011	2 x 36 LED	94 W	9748 - 11830 lm	N [10°], M [17°], W [33°], VW [59°x68°], E [12°x43°]	3000K CRI80, 4000K CRI80	On/Off, 1-10V, DALI	13.2 kg	
Small - 2 heads - RGB Tunable White									
KWH 8	KWH-50013	2 x 40 LED	92 W	5840 - 7104 lm	N [9°], M [15°], W [31°], VW [63°x65°], E [10°x44°]	RGBTW	DMX, DMX/RDM	13.2 kg	
Small - 2 heads - RGBW									
KWH 8	KWH-50012	2 x 40 LED	74 W	4402 - 5634 lm	N [9°], M [16°], W [33°], VW [64°x72°], E [10°x43°]	RGBW30, RGBW40	DMX, DMX/RDM	13.2 kg	

Accessory

	DALI Control System Control-DALI	DMX Control System Control-DMX	DMX/RDM Control System Control-DMX-RDM
KWH-50001	•		
KWH-50002		•	•
KWH-50003		•	•
KWH-50011	•		
KWH-50012		•	•
KWH-50013		•	•
KWH-50021	•		
KWH-50022		•	•
KWH-50023		•	•
KWH-50031	•		
KWH-50032		•	•
KWH-50033		•	•
KWH-50041	•		
KWH-50042		•	•
KWH-50043		•	•
KWH-50051	•		
KWH-50052		•	•

We reserve the right to make technical and design changes.

07:03, 21-04-2026

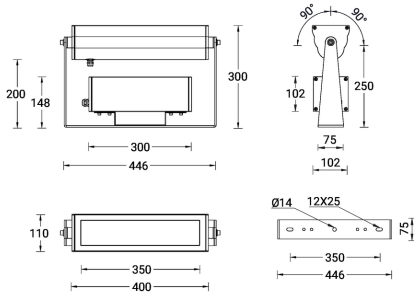
<https://www.ligman.com/kwh-floodlights-projectors-kw-pr3/>

THAILAND
LIGMAN Lighting Co.,Ltd.
17/2 Moo 4, Monthong, Bang Nam Prio,
24150 Chachoengsao - Thailand
info@ligman.com

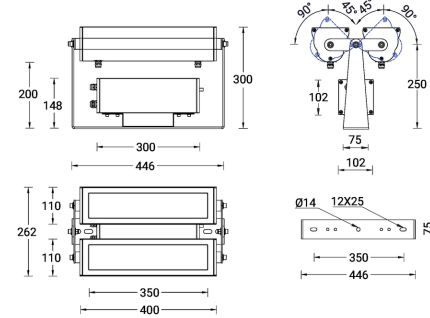


KWH-50053

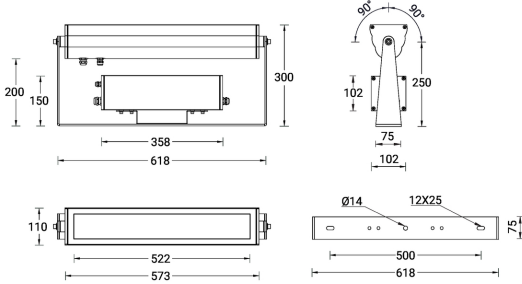
KWH-50001, KWH-50002, KWH-50003



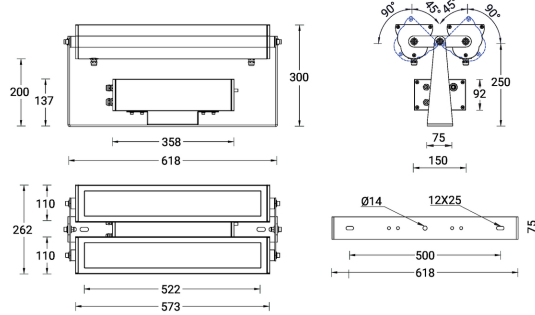
KWH-50011, KWH-50012, KWH-50013



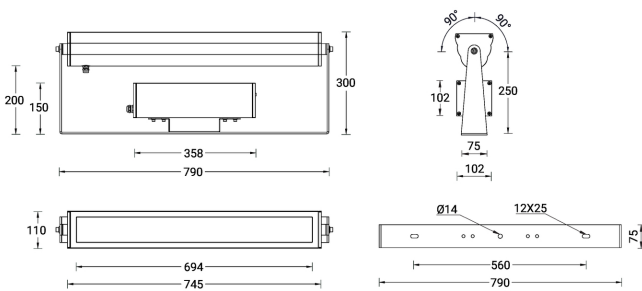
KWH-50021, KWH-50022, KWH-50023



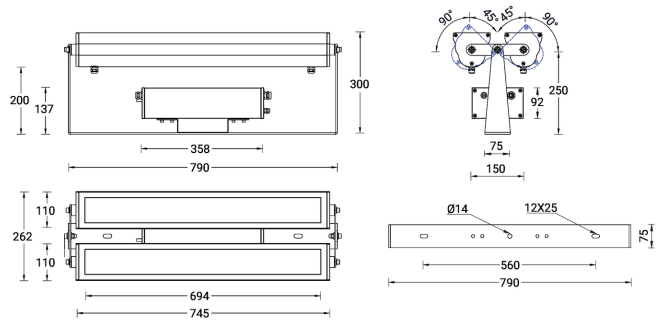
KWH-50031, KWH-50032, KWH-50033



KWH-50041, KWH-50042, KWH-50043



KWH-50051, KWH-50052, KWH-50053





KWH
Post top luminaires

Rounded profile linear post-top luminaire. Robust, tiltable body offered in different lengths providing multiple optical and professional area lighting solutions.

<https://www.ligman.com/kwh-post-top-luminaires-kw-po3/>



KWH
Surface facade luminaires

Rounded profile linear surface-mounted luminaire. Robust, tiltable body offered in different lengths providing multiple optical and professional lighting solutions for building, area and facade lighting.

<https://www.ligman.com/kwh-surface-facade-luminaires-kwh-su3/>