

**MAR**



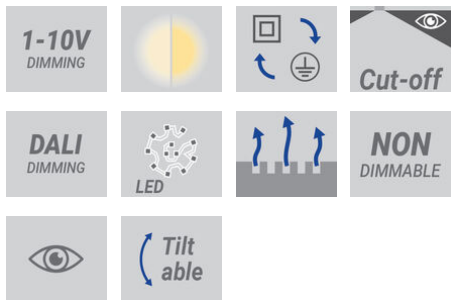
Circular column-mounted area downlight. Quintessential wolf in sheep's clothing; street lighting performance hidden inside urban lighting form.



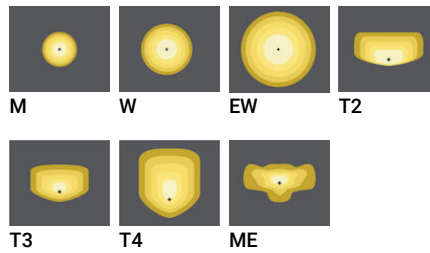
**Luminaire Structure**

- Die-cast aluminium housing
- Pre-treated before powder coating ensuring high corrosion resistance
- Stainless steel fasteners in grade 304 with zinc flake coating (ZFC)
- Durable silicone rubber gasket
- Clear toughened glass
- Surge protection 10kV

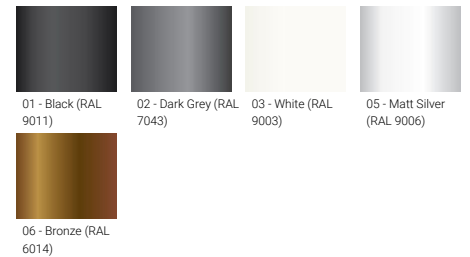
**Feature**



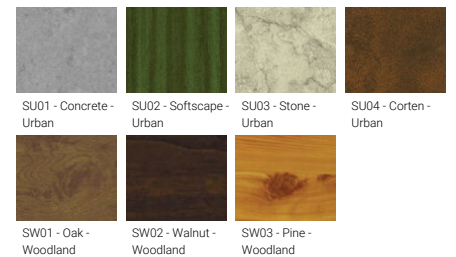
**Optic**



**Product colour**



**Special finishes upon request**



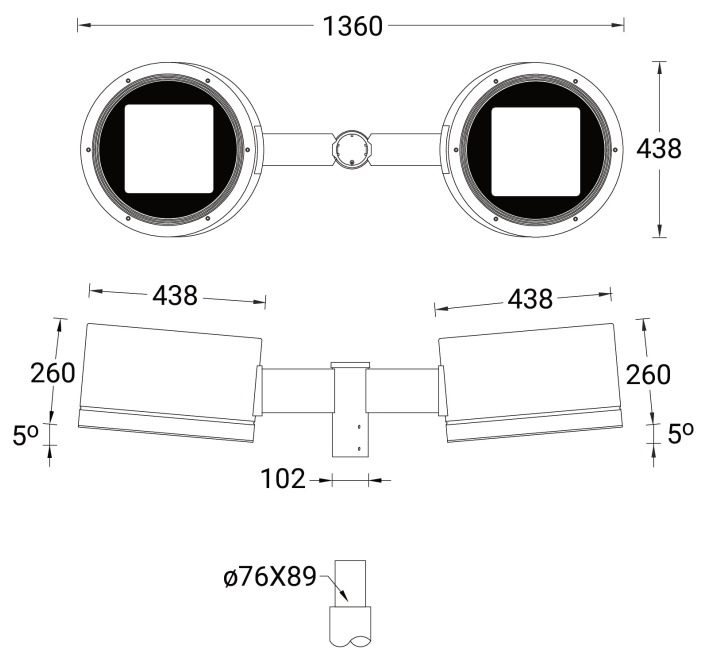
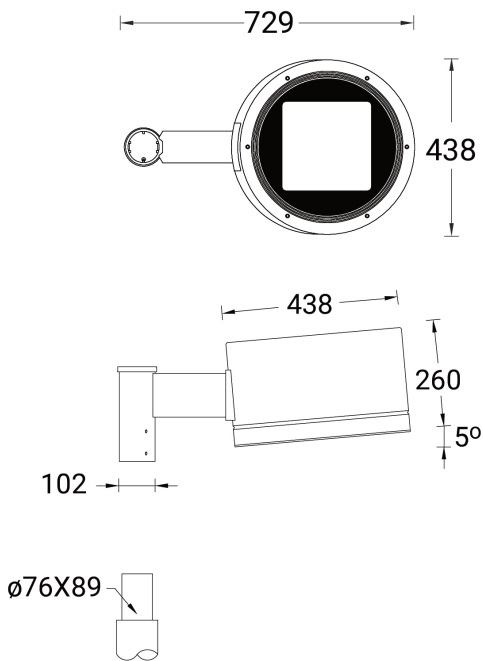
**MAR**

**Technical information**

	Model number	Light source	Power	Lumen	Optic	CCT / CRI	Dimming type	Weight	
<b>1 side</b>									
MAR 10	<b>MA-97091</b>	24 LED	38 W	4260 - 4917 lm	M [30°], W [52°], EW [108°], T2 [143°x47°], T3 [141°x70°], T4 [97°x77°], ME [139°x58°]	3000K CRI80, 4000K CRI80	On/Off, 1-10V, DALI	15.8 kg	
MAR 10	<b>MA-97092</b>	24 LED	54 W	5777 - 6666 lm	M [30°], W [52°], EW [108°], T2 [143°x47°], T3 [141°x71°], T4 [97°x77°], ME [139.°x58°]	3000K CRI80, 4000K CRI80	On/Off, 1-10V, DALI	15.8 kg	
<b>2 sides</b>									
MAR 11	<b>MA-97101</b>	2 x 24 LED	76 W	8520 - 9834 lm	M [30°], W [52°], EW [108°], T2 [143°x47°], T3 [141°x71°], T4 [97°x77°], ME [139°x58°]	3000K CRI80, 4000K CRI80	On/Off, 1-10V, DALI	30.8 kg	
MAR 11	<b>MA-97102</b>	2 x 24 LED	108 W	11554 - 13332 lm	M [30°], W [52°], EW [108°], T2 [143°x47°], T3 [141°x71°], T4 [97°x77°]	3000K CRI80, 4000K CRI80	On/Off, 1-10V, DALI	30.8 kg	

MA-97091, MA-97092

MA-97101, MA-97102



**MAR**

---

MAR

---

**Surface facade luminaires**

---

Circular surface wall-mounted area downlight.  
Quintessential wolf in sheep's clothing; street  
lighting performance hidden inside urban lighting  
form.

<https://www.ligman.com/mar-surface-facade-luminaires-mar-su3/>