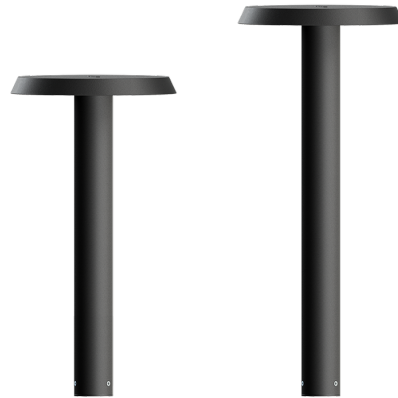


MARVEL



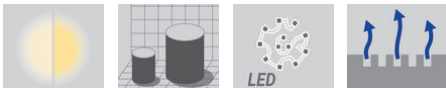
Modern, discrete way-finding bollard luminaire. Featuring 360°, 270°, 180°, 90° or 90°x90° beam distribution for uninterrupted pedestrian lighting.



Luminaire Structure

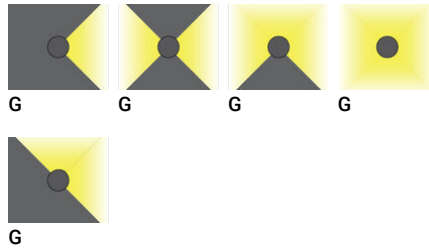
- Die-cast aluminium housing
- Pre-treated before powder coating ensuring high corrosion resistance
- Extruded aluminium column
- Single cable entry
- Stainless steel fasteners in grade 304 with zinc flake coating (ZFC)
- Durable silicone rubber gasket
- Clear toughened glass
- High-efficiency PMMA lens
- Integral control gear

Feature

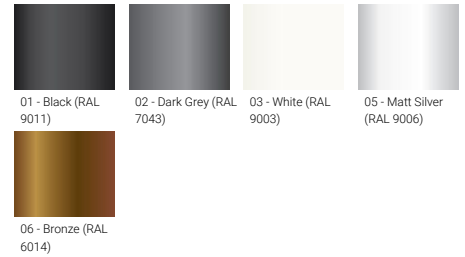


NON
DIMMABLE

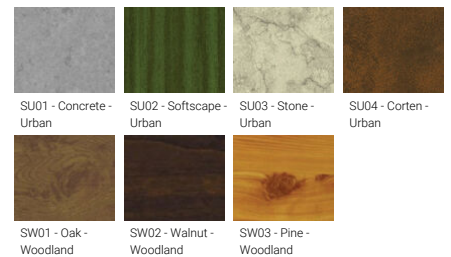
Optic



Product colour



Special finishes upon request



MARVEL

Technical information

	Model number	Light source	Power	Lumen	Optic	CCT / CRI	Dimming type	Weight
Ø70 mm - 1000 mm - Optic 180°								
MARVEL 2	MAV-10051	12 LED	19 W	1610 - 1695 lm	G [180°]	3000K CRI80, 4000K CRI80	On/Off, DALI	6.25 kg
Ø70 mm - 1000 mm - Optic 270°								
MARVEL 2	MAV-10031	18 LED	23 W	2120 - 2232 lm	G [270°]	3000K CRI80, 4000K CRI80	On/Off, DALI	6.25 kg
Ø70 mm - 1000 mm - Optic 360°								
MARVEL 2	MAV-10041	24 LED	34 W	3155 - 3321 lm	G [360°]	3000K CRI80, 4000K CRI80	On/Off, DALI	6.3 kg
Ø70 mm - 1000 mm - Optic 90°								
MARVEL 2	MAV-10011	6 LED	11 W	890 - 937 lm	G [90°]	3000K CRI80, 4000K CRI80	On/Off, DALI	6.25 kg
Ø70 mm - 1000 mm - Optic 90°x90°								
MARVEL 2	MAV-10021	12 LED	19 W	1596 - 1680 lm	G [90°x90°]	3000K CRI80, 4000K CRI80	On/Off, DALI	6.25 kg
Ø70 mm - 700 mm - Optic 180°								
MARVEL 1	MAV-10005	12 LED	19 W	1596 - 1680 lm	G [180°]	3000K CRI80, 4000K CRI80	On/Off, DALI	5.9 kg
Ø70 mm - 700 mm - Optic 270°								
MARVEL 1	MAV-10003	18 LED	23 W	2120 - 2232 lm	G [270°]	3000K CRI80, 4000K CRI80	On/Off, DALI	6 kg
Ø70 mm - 700 mm - Optic 360°								
MARVEL 1	MAV-10004	24 LED	34 W	3155 - 3321 lm	G [360°]	3000K CRI80, 4000K CRI80	On/Off, DALI	6 kg
Ø70 mm - 700 mm - Optic 90°								
MARVEL 1	MAV-10001	6 LED	11 W	890 - 937 lm	G [90°]	3000K CRI80, 4000K CRI80	On/Off, DALI	5.9 kg
Ø70 mm - 700 mm - Optic 90°x90°								
MARVEL 1	MAV-10002	ITLC0564-3830-450mA	19 W	1596 - 1680 lm	G [90°x90°]	3000K CRI80, 4000K CRI80	On/Off, DALI	5.9 kg

Accessories

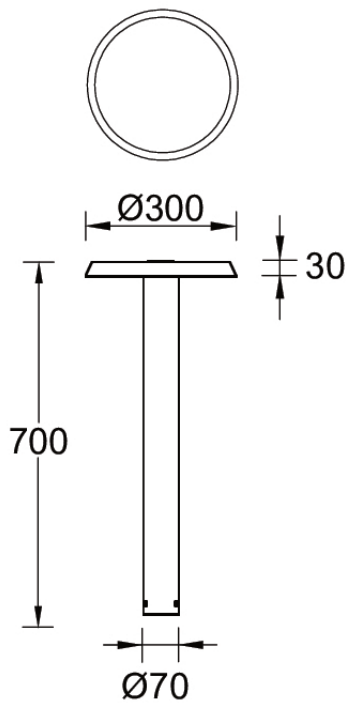


Anchor bolt
A14391

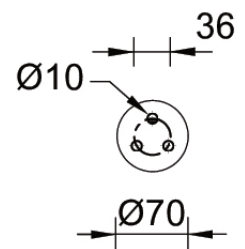
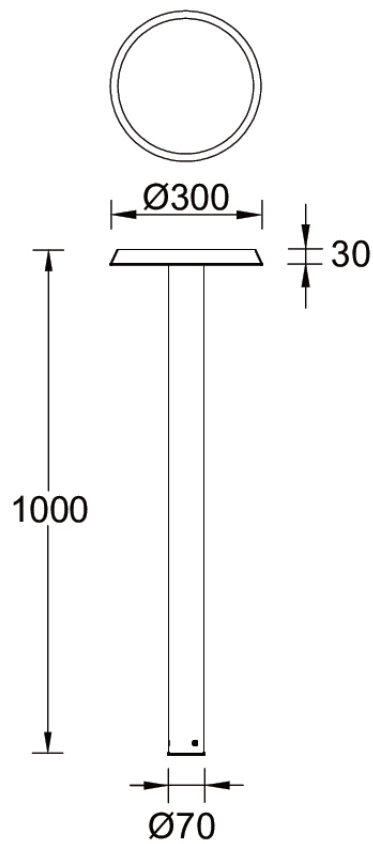
MAV-10001	•
MAV-10002	•
MAV-10003	•
MAV-10004	•
MAV-10005	•
MAV-10011	•
MAV-10021	•
MAV-10031	•
MAV-10041	•
MAV-10051	•

MARVEL

MAV-10001
MAV-10002
MAV-10003
MAV-10004
MAV-10005



MAV-10011
MAV-10021
MAV-10031
MAV-10041
MAV-10051



MARVEL



MARVEL
Light columns

Minimalist Light Column. Featuring 360°, 270°, 180°, 90° or 90°x90° beam distribution for uninterrupted public open space and pedestrian lighting.

<https://www.ligman.com/marvel-light-columns-ma-li3/>