

QUANTUM



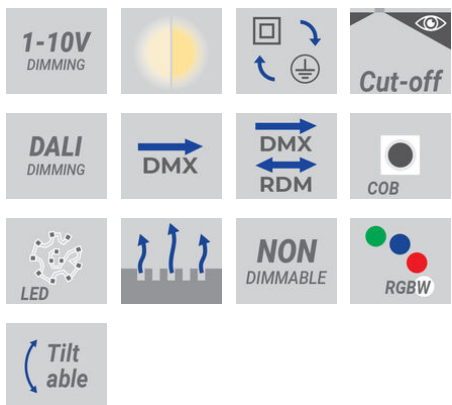
Adjustable column-mounted technical projector solution. Flexible technical project solutions in attractive column-downlight using the stylish premium QUANTUM projectors.



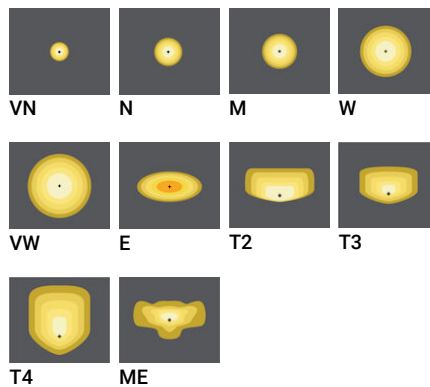
Luminaire Structure

- Die-cast aluminium housing
- Pre-treated before powder coating ensuring high corrosion resistance
- Stainless steel fasteners in grade 304 with zinc flake coating (ZFC)
- Durable silicone rubber gasket
- Clear toughened glass
- Surge protection 10kV

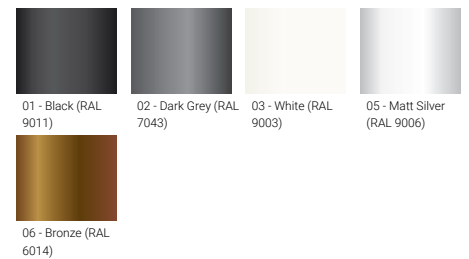
Feature



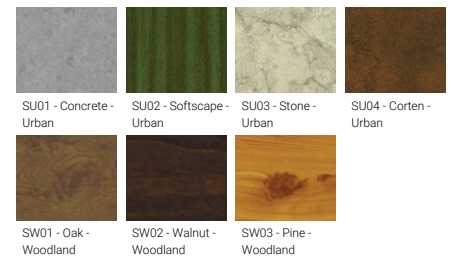
Optic



Product colour







Special finishes upon request






QUANTUM

Technical information

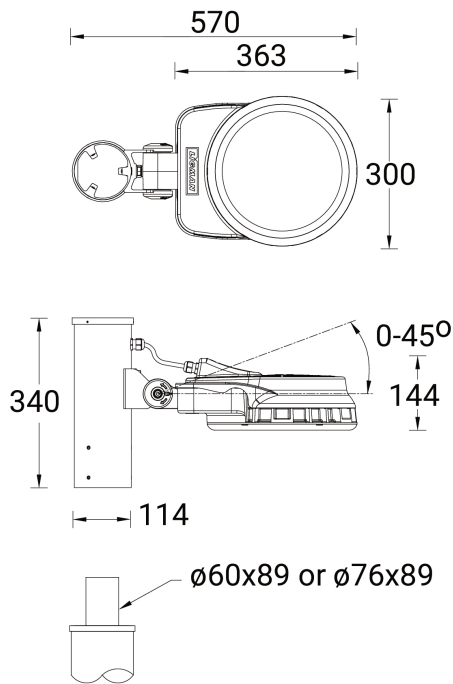
	Model number	Light source	Power	Lumen	Optic	CCT / CRI	Dimming type	Weight	
1 side									
QUANTUM 2	QA-21021	6 COB	83 W	7496 - 8132 lm	N [24°], M [33°], W [44°], VW [76°]	3000K CRI80, 4000K CRI80	On/Off, 1-10V, DALI	10.8 kg	
QUANTUM 2	QA-21023	18 LED	76 W	6688 - 7175 lm	VN [8°]	3000K, 4000K	On/Off, 1-10V, DALI	10.8 kg	
QUANTUM 2	QA-21024	24 LED	82 W	7498 - 8664 lm	T2 [147°x55°], T3 [141°x75°], T4 [96°x82°], ME [136°x58°]	3000K, 4000K	On/Off, 1-10V, DALI	10.8 kg	
1 side - RGBW									
QUANTUM 2	QA-21025	18 LED	77 W	2900 - 3580 lm	N [20°], M [35°], E [25° x 48°]	RGBW30, RGBW40	DMX, DMX/RDM	10.8 kg	
2 sides									
QUANTUM 2	QA-21031	2 x 6 COB	166 W	15590 - 17484 lm	N [24°], M [33°], W [44°], VW [76°]	3000K CRI80, 4000K CRI80	On/Off, 1-10V, DALI	20.0 kg	
QUANTUM 2	QA-21033	2 x 18 LED	152 W	13376 - 14350 lm	VN [8°]	3000K, 4000K	On/Off, 1-10V, DALI	20.0 kg	
QUANTUM 2	QA-21034	2 x 24 LED	164 W	14996 - 17328 lm	T2 [147°x55°], T3 [141°x75°], T4 [96°x82°], ME [136°x58°]	3000K, 4000K	On/Off, 1-10V, DALI	20.0 kg	
2 sides - RGBW									
QUANTUM 2	QA-21035	2 x 18 LED	154 W	6678 - 8592 lm	N [20°], M [35°], E [25° x 48°]	RGBW30, RGBW40	DMX, DMX/RDM	20.0 kg	

Accessories

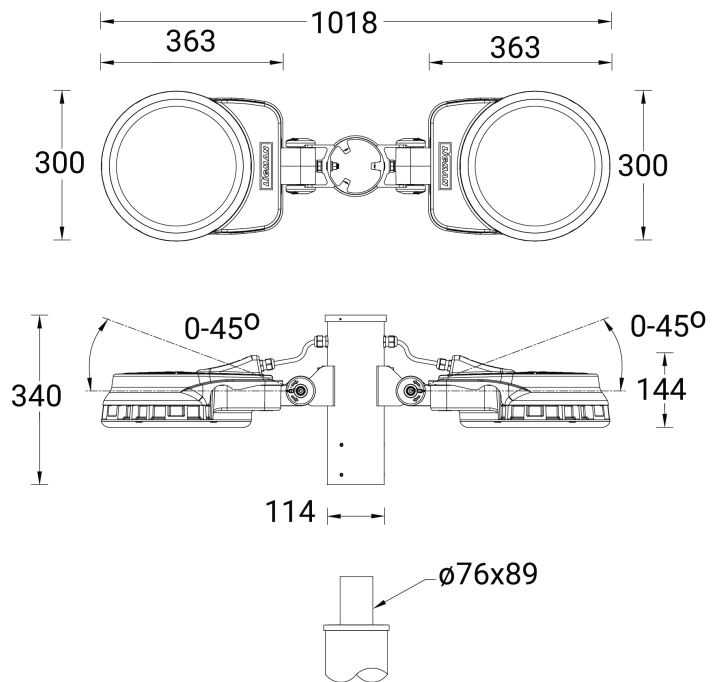
	 DALI Control System Control-DALI	 DMX Control System Control-DMX	 DMX/RDM Control System Control-DMX-RDM
QA-21021	•		
QA-21023	•		
QA-21024	•		
QA-21025		•	•
QA-21031	•		
QA-21033	•		
QA-21034	•		
QA-21035		•	•

QUANTUM

QA-21021, QA-21023
QA-21024, QA-21025



QA-21031, QA-21033
QA-21034, QA-21035



QUANTUM

QUANTUM
Floodlights, projectors

Adjustable surface-mounted technical projectors. New large premium projector, extending the family with stylish modern design, unique rotary thermal guard and up to 27,000 delivered lumens.

<https://www.ligman.com/quantum-floodlights-projectors-qu-pr3/>



QUANTUM
Cluster column projectors

Adjustable column technical projector cluster solution. Flexible technical project solutions in attractive cluster arrangements using the stylish premium QUANTUM projectors.

<https://www.ligman.com/quantum-cluster-column-projectors-qua-pr3/>



QUANTUM
Gobo projectors

Compact and powerful gobo projector, aluminium powder coated housing with IP66 protection. Three optional forward-lens focal lengths. Accepts both metal and glass standard size-M gobos.

<https://www.ligman.com/quantum-gobo-projectors-qagb-pr3/>