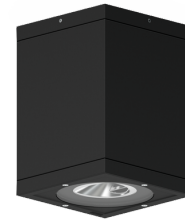


# TANGO



Circular or square form technical surface-ceiling downlight range. Completely tailorable ceiling-mounted optical lighting solutions for perfect task or architectural lighting.



microVOS™  
TECHNOLOGY



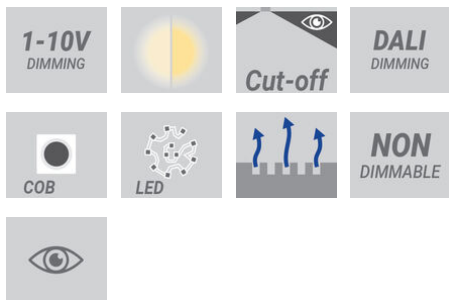
## Luminaire Structure

- Die-cast aluminium housing
- Pre-treated before powder coating ensuring high corrosion resistance
- Single cable entry

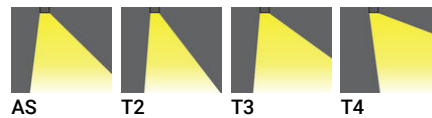
- Stainless steel fasteners in grade 304 with zinc flake coating (ZFC)
- Durable silicone rubber gasket
- Clear toughened glass
- High-efficiency optical reflector
- Integral control gear

- Optional surface mounting box for easy wiring or conduit connection when wiring from behind is not possible

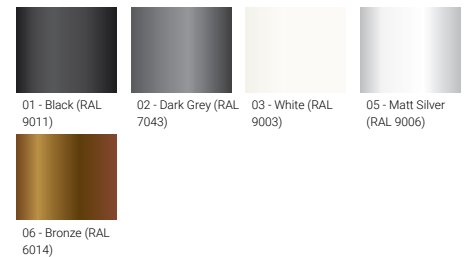
## Feature



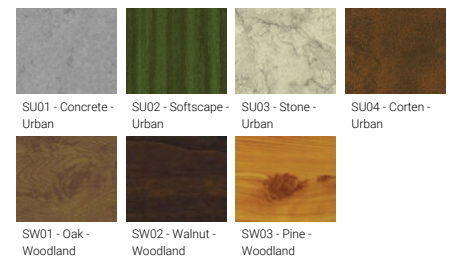
## Optic



## Product colour





## Special finishes upon request





# TANGO

## Technical information

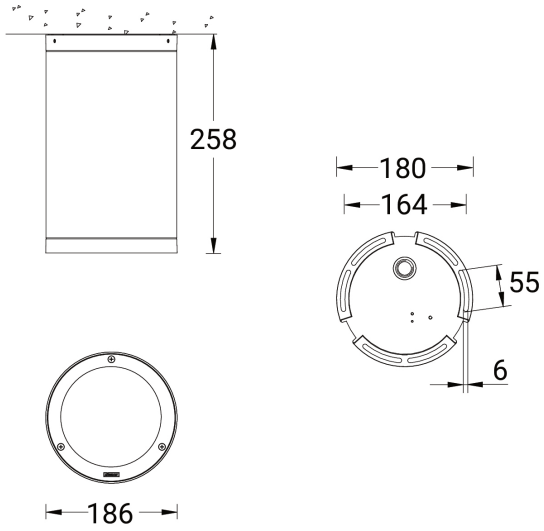
	Model number	Light source	Power	Lumen	Optic	CCT / CRI	Dimming type	Weight	
<b>Round</b>									
TANGO 33	<b>TA-80551</b>	16 LED	35 W	3476 - 3910 lm	T2 [140°x 46°], T3 [140°x 68°], T4 [91°x 76°]	3000K CRI80, 4000K CRI80	On/Off, 1-10V, DALI	3.7 kg	
TANGO 33	<b>TA-80552</b>	1 COB	29 W	2535 - 2566 lm	AS [46°x 56°]	3000K CRI80, 4000K CRI80	On/Off, 1-10V, DALI	3.7 kg	
TANGO 33	<b>TA-80553</b>	1 COB	42 W	3377 - 3418 lm	AS [46°x 56°]	3000K CRI80, 4000K CRI80	On/Off, DALI	3.7 kg	
<b>Square</b>									
TANGO 34	<b>TA-80561</b>	16 LED	35 W	3476 - 3910 lm	T2 [140°x 46°], T3 [140°x 68°], T4 [91°x 76°]	3000K CRI80, 4000K CRI80	On/Off, 1-10V, DALI	4.5 kg	
TANGO 34	<b>TA-80562</b>	1 COB	29 W	2535 - 2566 lm	AS [46°x 56°]	3000K CRI80, 4000K CRI80	On/Off, 1-10V, DALI	4.5 kg	
TANGO 34	<b>TA-80563</b>	1 COB	42 W	3377 - 3418 lm	AS [46°x 56°]	3000K CRI80, 4000K CRI80	On/Off, DALI	4.5 kg	

## Accessories

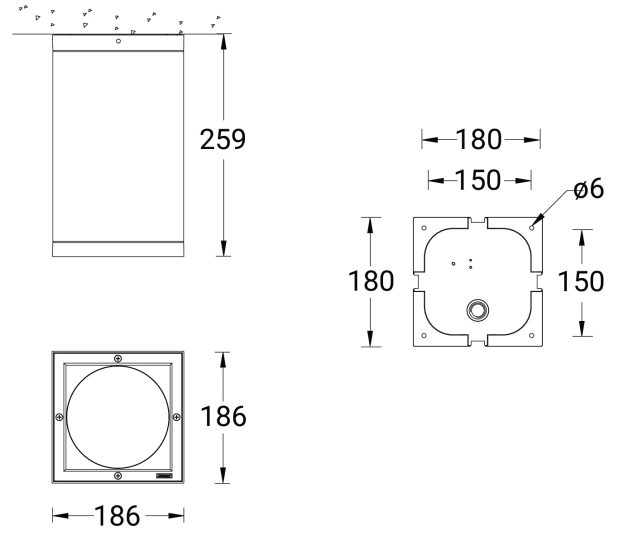
	 Mounting ring for semi-recessed installation <b>A80281</b>	 DALI Control System <b>Control-DALI</b>
TA-80551	•	•
TA-80552	•	•
TA-80553	•	•
TA-80561		•
TA-80562		•
TA-80563		•

**TANGO**

TA-80551, TA-80552, TA-80553



TA-80561, TA-80562, TA-80563



# TANGO



TANGO

**Surface facade luminaires**

Circular or square form technical up & downlight wall range. Completely tailorable wall-mounted direct/indirect optical lighting solutions for perfect task or architectural lighting.

<https://www.ligman.com/tango-surface-facade-luminaires-ta-su3/>



TANGO

**Post top luminaires**

Square or circular form technical post top range. Flexible post top lighting solutions for perfect symmetrical or asymmetrical task lighting.

<https://www.ligman.com/tango-post-top-luminaires-ta-po3/>