

TRIANGLE



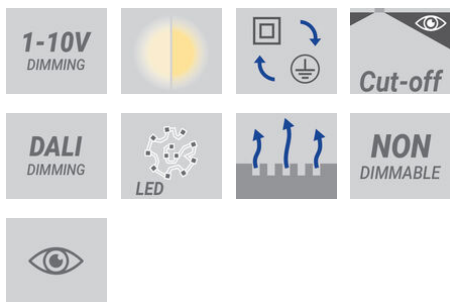
Triangular column-mounted family. High-protection, stealth-like and angular range aesthetic, encasing a wide variety of technical optic options.



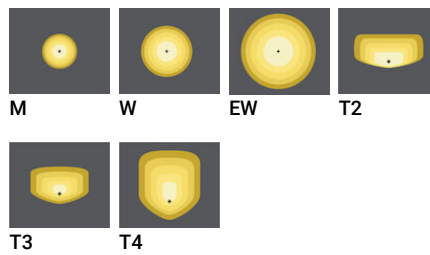
Luminaire Structure

- Die-cast aluminium housing
- Pre-treated before powder coating ensuring high corrosion resistance
- Stainless steel fasteners in grade 304 with zinc flake coating (ZFC)
- Durable silicone rubber gasket
- Clear toughened glass
- Surge protection 10kV

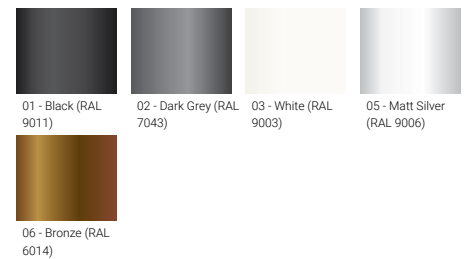
Feature



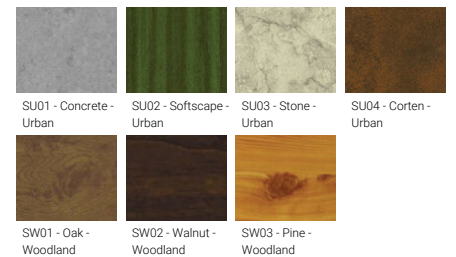
Optic



Product colour







Special finishes upon request




TRIANGLE

Technical information

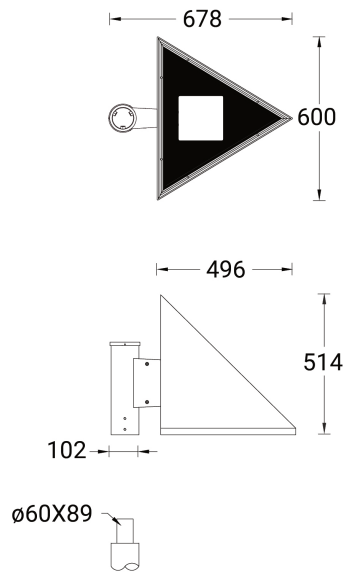
	Model number	Light source	Power	Lumen	Optic	CCT / CRI	Dimming type	Weight	
1 side									
TRIANGLE 5	TR-96141	24 LED	38 W	4260 - 4917 lm	M [30°, W [52°, EW [108°, T2 [144°x47°, T3 [140°x71°, T4 [100°x81°	3000K CRI80, 4000K CRI80	On/Off, 1-10V, DALI	9.7 kg	
TRIANGLE 5	TR-96142	24 LED	54 W	5777 - 6666 lm	M [30°, W [52°, EW [108°, T2 [144°x47°, T3 [140°x71°, T4 [100°x81°	3000K CRI80, 4000K CRI80	On/Off, 1-10V, DALI	9.7 kg	
2 sides									
TRIANGLE 6	TR-96151	2 x 24 LED	76 W	8520 - 9834 lm	M [30°, W [52°, EW [108°, T2 [144°x47°, T3 [140°x71°, T4 [100°x81°	3000K CRI80, 4000K CRI80	On/Off, 1-10V, DALI	18.0 kg	
TRIANGLE 6	TR-96152	2 x 24 LED	108 W	11554 - 13332 lm	M [30°, W [52°, EW [108°, T2 [144°x47°, T3 [140°x71°, T4 [100°x81°	3000K CRI80, 4000K CRI80	On/Off, 1-10V, DALI	18.0 kg	

Accessories

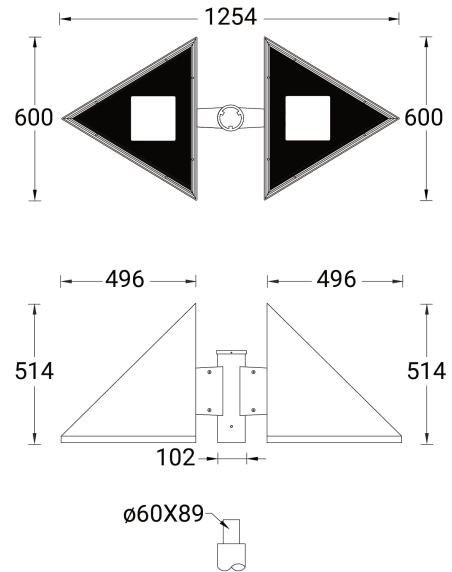
	
	DALI Control System
	Control-DALI
TR-96141	•
TR-96142	•
TR-96151	•
TR-96152	•

TRIANGLE

TRI-96141, TRI-96142



TR-96151, TR-96152



TRIANGLE



TRIANGLE

Surface facade luminaires

Triangular surface wall-mounted family. High-protection, stealth-like and angular range aesthetic, encasing a wide variety of technical optic options.

<https://www.ligman.com/triangle-surface-facade-luminaires-tr-su3/>