

ZAAB



Adjustable surface projector family. Conical, stylish projector range with a wealth of options and accessories.

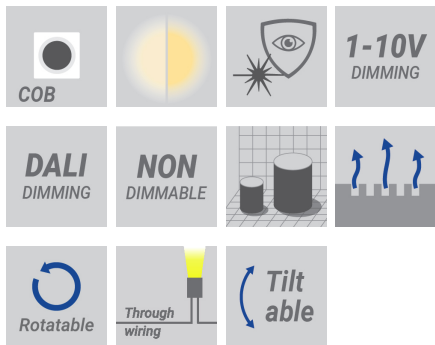


microPrim™

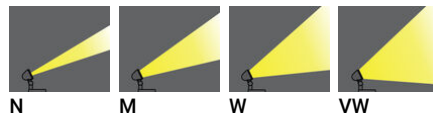
Luminaire Structure

- Die-cast aluminium housing
- Pre-treated before powder coating ensuring high corrosion resistance
- Single cable entry, through wiring upon request
- Stainless steel fasteners in grade 304 with zinc flake coating (ZFC)
- Durable silicone rubber gasket
- High-efficiency optical reflector
- Clear toughened glass
- Integral control gear

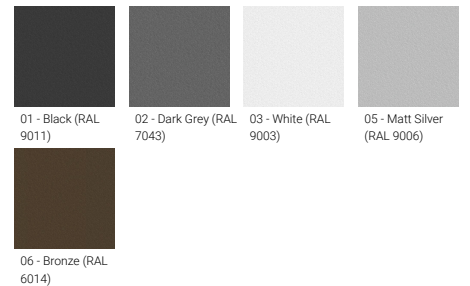
Feature



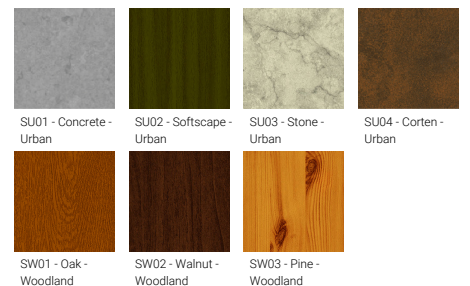
Optic



Product colour



Special finishes upon request



Technical information

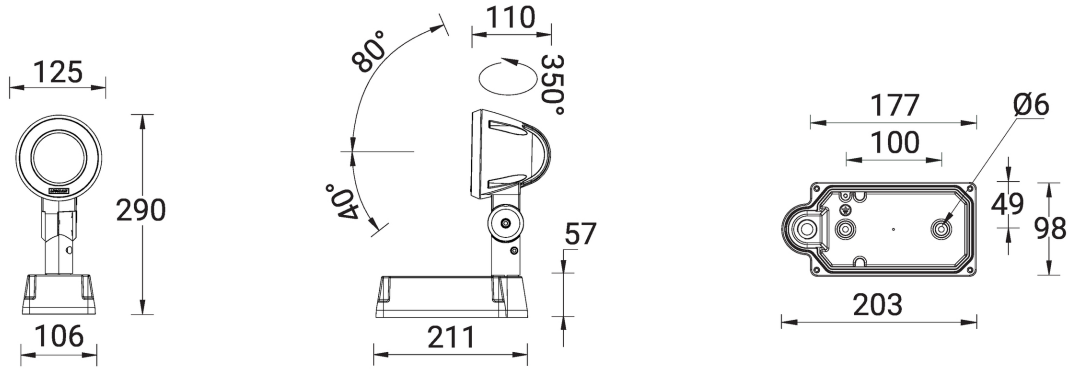
	Model number	Light source	Power	Lumen	Optic	CCT / CRI	Dimming type	Weight
With mounting box								
ZAAB 1	ZA-50001	1 COB	20 W	1875 - 2070 lm	N [14°], M [24°], W [44°]	3000K CRI80, 4000K CRI80	On/Off, 1-10V, DALI	2.8 kg
ZAAB 2	ZA-50011	1 COB	40 W	4194 - 5014 lm	N [16°], M [26°], W [42°], VW [65°]	3000K CRI80, 4000K CRI80	On/Off	3.7 kg

Accessory

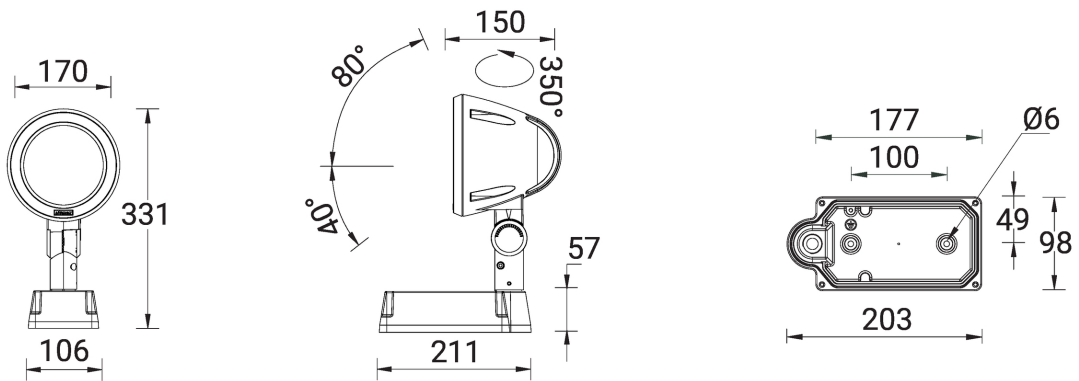
	Linear spread lens A50914	Linear spread lens A51014	Anti-glare louvre A51621	Anti-glare louvre A51721	Anti-glare visor A52431	Anti-glare hood A52531	Anti-glare visor A52631
ZA-50001
ZA-50011

	Snoot A54131	Snoot A54231	DALI CONTROL DALI Control System Control-DALI
ZA-50001	.	.	.
ZA-50011	.	.	.

ZA-50001



ZA-50011



ZAAB

ZAAB

Cluster column projectors

Adjustable column projector cluster solution.
Flexible project solutions in attractive cluster
arrangements using the conical-shaped stylish
ZAAB projector range.

<https://www.ligman.com/zaab-cluster-column-projectors-zaa-pr3/>