

ZEAT



Petite adjustable projector family. Rugged looks and available in three sizes for flexible and affordable landscape lighting.



Luminaire Structure

- Die-cast aluminium housing and frame
- Pre-treated before powder coating ensuring high corrosion resistance
- Single cable entry, through wiring upon request

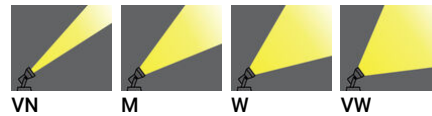
- Stainless steel fasteners in grade 304 with zinc flake coating (ZFC)
- Durable silicone rubber gasket
- High-efficiency PMMA lens
- Clear toughened glass
- Integral control gear for ZE-50391, ZE-50392

- Remote driver is included for constant current (CC) products and is not IP-rated
- Remote box IP-rated is not included and is to be ordered separately for constant current (CC) products

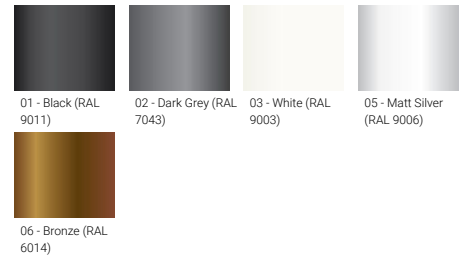
Feature



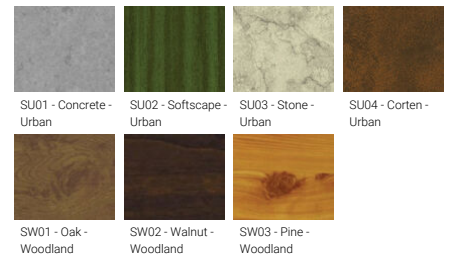
Optic



Product colour



Special finishes upon request







ZEAT

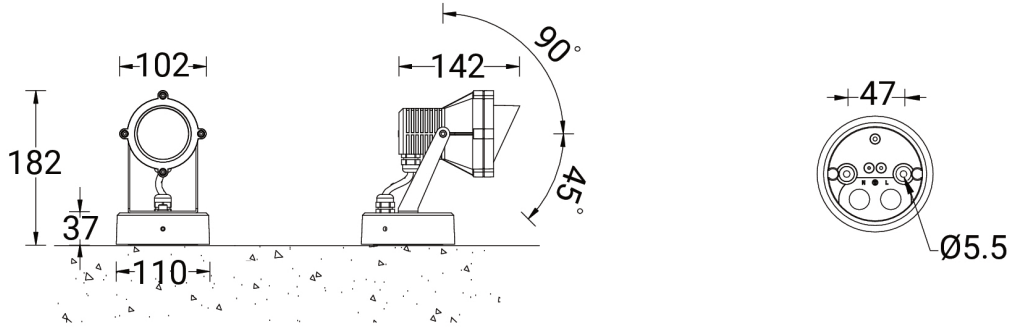
Technical information

| | Model number | Light source | Power | Lumen | Optic | CCT / CRI | Dimming type | Weight |
|--|-----------------|--------------|-------|----------------|--|--------------------------|---------------------|--------|
| Integral control gear - Class I | | | | | | | | |
| ZEAT 3 | ZE-50391 | 1 COB | 14 W | 1048 - 1274 lm | M [24°], W [31°], VW [48°], EW [62°x58°] | 3000K CRI80, 4000K CRI80 | On/Off, 1-10V, DALI | 1.5 kg |
| ZEAT 3 | ZE-50392 | 1 LED | 11 W | 644 - 758 lm | VN [8°] | 3000K CRI80, 4000K CRI80 | On/Off, 1-10V, DALI | 1.5 kg |
| Without remote box IP-rated - With remote driver - Constant current (CC) 350 mA - Class III | | | | | | | | |
| ZEAT 1 | ZE-50019 | 1 COB | 14 W | 1048 - 1274 lm | M [24°], W [31°], VW [48°], EW [62°x58°] | 3000K CRI80, 4000K CRI80 | On/Off, 1-10V, DALI | 1.0 kg |
| Without remote box IP-rated - With remote driver - Constant current (CC) 700 mA - Class III | | | | | | | | |
| ZEAT 1 | ZE-50020 | 1 LED | 11 W | 644 - 758 lm | VN [8°] | 3000K CRI80, 4000K CRI80 | On/Off, 1-10V, DALI | 1.0 kg |
| Without remote box IP-rated - With remote driver / spike - Constant current (CC) 350 mA - Class III | | | | | | | | |
| ZEAT 2 | ZE-50029 | 1 COB | 14 W | 1048 - 1274 lm | M [24°], W [31°], VW [48°], EW [62°x58°] | 3000K CRI80, 4000K CRI80 | On/Off, 1-10V, DALI | 1.2 kg |
| Without remote box IP-rated - With remote driver / spike - Constant current (CC) 700 mA - Class III | | | | | | | | |
| ZEAT 2 | ZE-50030 | 1 LED | 11 W | 644 - 758 lm | VN [8°] | 3000K CRI80, 4000K CRI80 | On/Off, 1-10V, DALI | 1.2 kg |

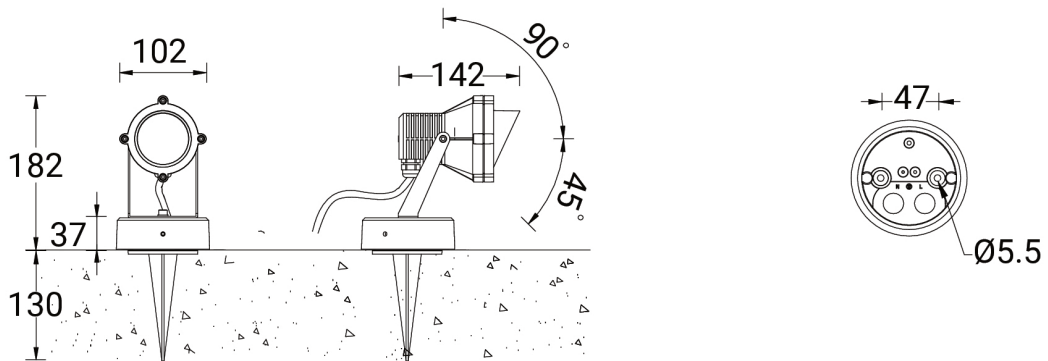
Accessories

| |  Ground spike A50141 |  Mounting belt A50291 |  Remote box IP65 A80191 |  DALI Control System Control-DALI |
|----------|--|---|---|---|
| ZE-50019 | | • | • | • |
| ZE-50020 | | • | • | • |
| ZE-50029 | | | • | • |
| ZE-50030 | | | • | • |
| ZE-50391 | • | • | | • |
| ZE-50392 | • | • | | • |

ZE-50019, ZE-50020



ZE-50029, ZE-50030



ZE-50391, ZE-50392

