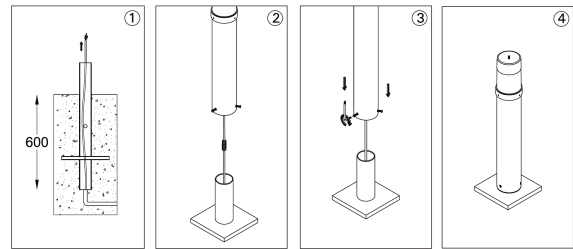
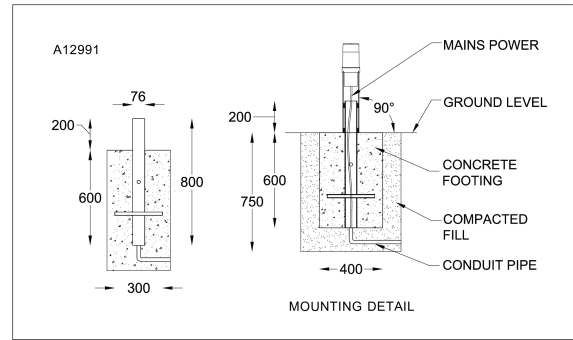


Security core (Anti-traffic) - Modification upon request (A12991)



Product description

76x800 mm, Anti-traffic security bollard structure (Ø102-114)

Technical information

- Traffic rated security bollard structure
- 3.2 mm wall thickness galvanized steel security pole with 21 mm galvanized cross-support rods
- Stops 2.75 tons vehicle, travelling at 50 km/h
- For additional strength, the galvanized pole can be filled with concrete up to the waterproof driver housing to provide a solid concrete barrier
- Other standards like (K4 rated) is upon request
- Modification upon request