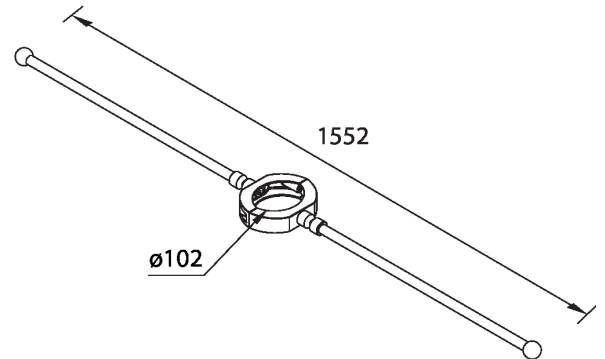


**Double banner (A20281)**



A20281



**Product description**

**Technical information**

<b>Material</b>	Galvanised Steel
<b>Product colours</b>	Black, Dark Grey, White, Matt Silver, Bronze, Concrete - Urban, Softscape - Urban, Stone - Urban, Corten - Urban, Oak - Woodland, Walnut - Woodland, Pine - Woodland