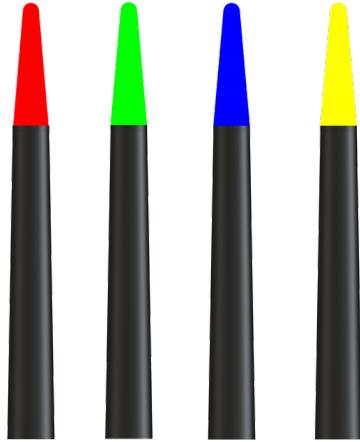
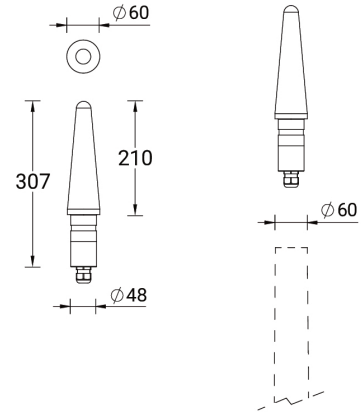


**Illuminated Beacon-Tip (RGBW) (A21481)**



**ILLUMINATED BEACON-TIP (RGBW)  
A21481**



**Product description**

- Without remote driver
- 24 VDC
- RGBW 3000K (-RGBW30) or RGBW 4000K (-RGBW40)

**Technical information**

- Class III
- IP65
- IK07
- Frosted PMMA tube lens
- Lens options: Clear (-C), Frost (-F)
- Dimming type: DMX
- Lamp: 1 LED
- Power: 5 W
- Lumen: 227 lm
- Weight: 1.02 kg

<b>Material</b>	Aluminium
<b>Product colours</b>	Black, Dark Grey, White, Matt Silver, Bronze, Concrete - Urban, Softscape - Urban, Stone - Urban, Corten - Urban, Oak - Woodland, Walnut - Woodland, Pine - Woodland

**Illuminated Beacon-Tip (RGBW) (A21481)**

**Accessories**



Nicolaudie - SLESA-U9  
**A60491**



Pharos - TPC touch screen &  
LPC controller DMX 2 Universe  
**A64691**



Pharos - POE Connect  
**A64591**



Pharos - RDM DMX Splitter  
**A64791**



Pharos - CLOUD  
**A64991**



Nicolaudie - STICK-KE2  
**A65091**



Nicolaudie - SLESA-U11  
**A66891**



Pharos - TPC touch screen &  
EXT controller DMX and DALI 1  
Universe  
**A64491**



Pharos - TPS Touch Panel  
Station  
**A65191**



Pharos - LPCX Lighting Playback  
Controller X  
**A66991**



Pharos - EDN 10  
**A65391**



Nicolaudie - DINA-DR MICRO  
DMX lighting controller & Power  
adapter  
**A67291**



DMX splitter & amplifier within  
an IP65 box  
**A63991**



Cable - Connector IP67 Female 4  
Pin + XLR Male 3 Pin  
**A64091**



Cable - Connector IP67 Female 3  
Pin Power  
**A63491**



Cable - Connector IP67 Female 4  
Pin Signal DMX  
**A63691**

**Illuminated Beacon-Tip (RGBW) (A21481)**

---

Connector IP67 Male 4 Pin  
Signal + Resistor 120 Ohms  
**A66491**

---



---

Connector IP67 Male 4 Pin  
Signal  
**A67591**

---



---

Connector IP67 Female 4 Pin  
Signal  
**A67391**

---



---

Connector IP67 Female 3 Pin  
Power  
**A67491**

---



---

DMX/RDM decoder within an  
IP65 box  
**A67091**

---