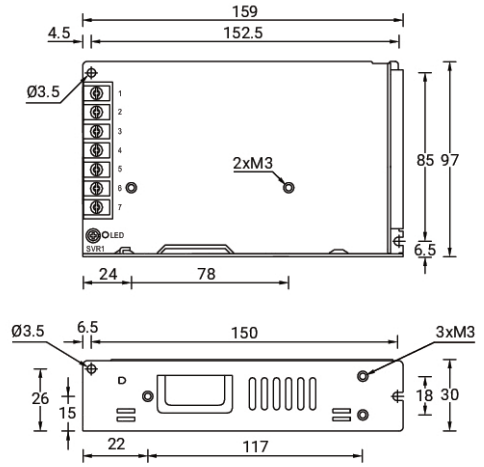


Driver ND - 150 W - IP20 - Constant voltage - 24 V (A32391-ND)



A32391



Product description

Technical information

Store code: LTT0150003