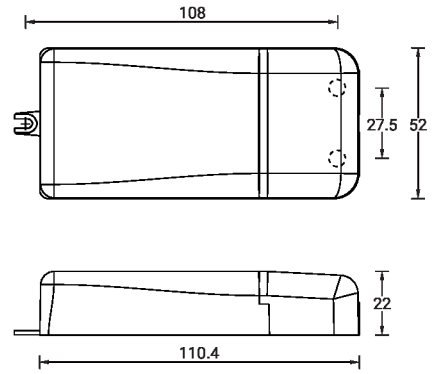


Driver (CC)- 1-10V - 20 W - IP20 - 700 mA max (A32691-DI)

A32691-DI

**Product description****Technical information**