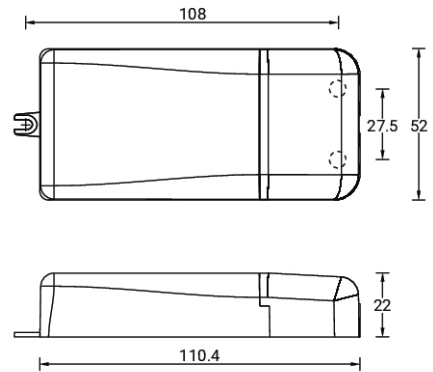


Driver (CC) - On/Off - 20 W - IP20 - 700 mA max (A32691-ND)

A32691-DA
A32691-DI
A32691-ND

**Product description****Technical information**

Store code: ITT0044005