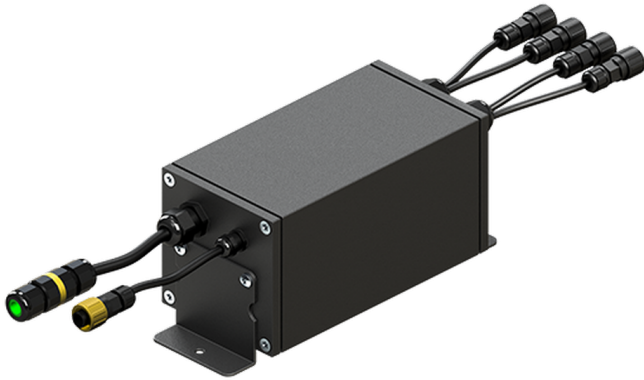
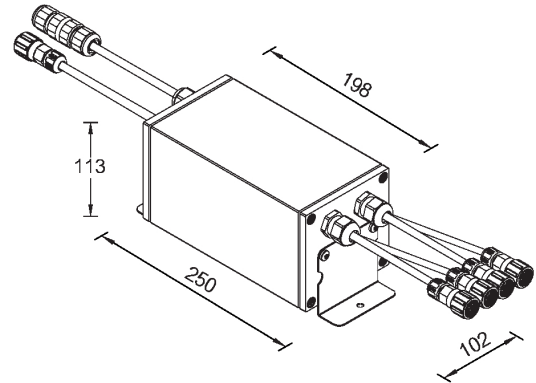


**DMX/RDM Splitter within an IP65 box - 4 channels output (A610191)****A610191****Product description****Technical information**

DMX/RDM Splitter, within an IP65 box with 4 channels output, is a digital signal distributor used with DMX512-A and ANSI E1.20 RDM. 4-port, DMX/RDM isolated splitter engineered to take any architectural, commercial, or entertainment project to the next level.

Using the DMX/RDM Splitter to turn one DMX feed into four and eliminate the need to create long and complex DMX chains. Instead, each port becomes the beginning of a new chain. Multiple DMX/RDM Splitter can be chained together to create as many outputs as you need.