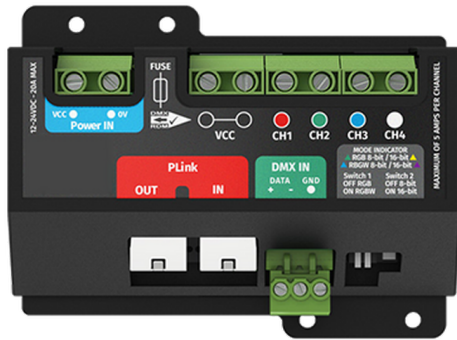
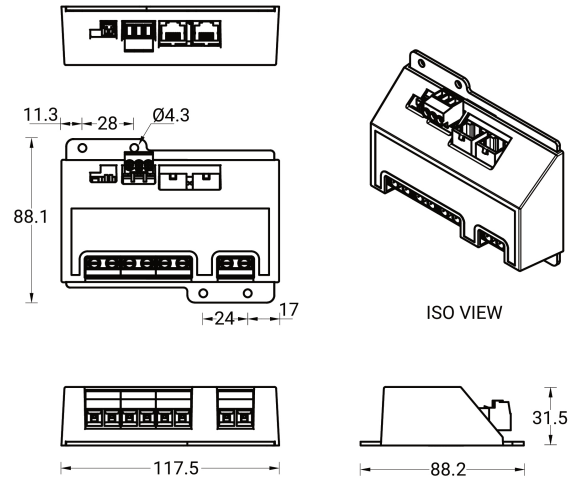


Constant voltage dimmer - 4 Channel (A610291)



A610291



Product description

Technical information

- Constant voltage dimming capacity of up to 5A per channel
- 12-24V input (20A maximum)
- Support daisy-chaining addressing DMX Protocol over Cat6 cable
- DMX/RDM input through pluggable rising clamp connector
- RDM identification and addressing functionality
- On board conversion from DMX to RGBW 4 channel
- Status LED and DIP switch to toggle between RGB/RGBW and 8-bit/16-bit operating modes
- User-serviceable blade fuse to protect against short circuits
- Passive cooling with internal overheating protection
- Compact design with integrated 4mm surface mounting holes