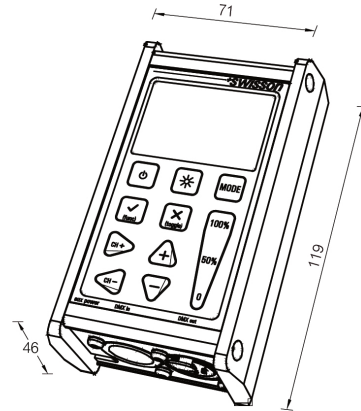


DMX/RDM tester (A610691)

A610691
DMX/RDM TESTER

**Product description****Technical information**

- For setting up a group of lamps using DMX/RDM
- Setting default address for DMX512
- Adjustable Frame Rates and empty frames to accommodate non-standard equipment
- Testing the function of the RGBW output of the DMX512/RDM lamp