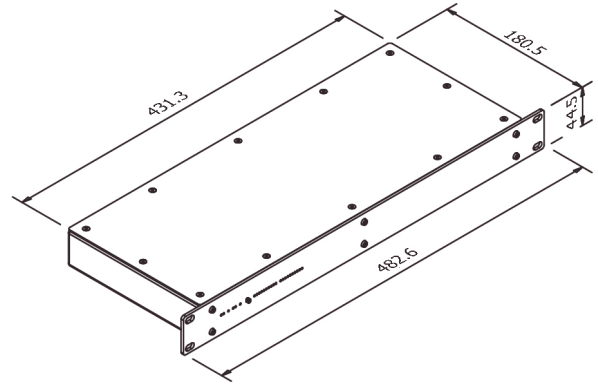


Pharos - EDN 20 (A611391)

A611391

**Product description**

- Ethernet Data Node 20
- 20 DMX/RDM
- 20 Universe
- 10.240 address

Technical information

The Pharos EDN (Ethernet Data Node) is a convenient and scalable solution, providing cost-effective Ethernet-distributed DMX ports for large control projects. The EDN is an easily configurable networking node that is specifically designed to add physical DMX ports to Pharos Controller and integrates natively with the full Pharos range.