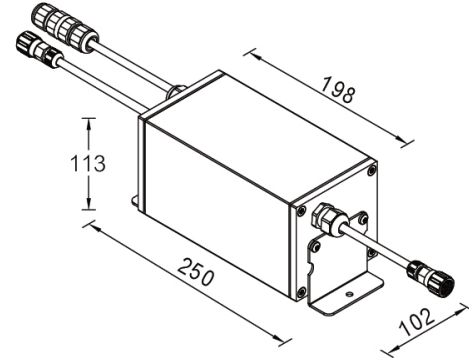
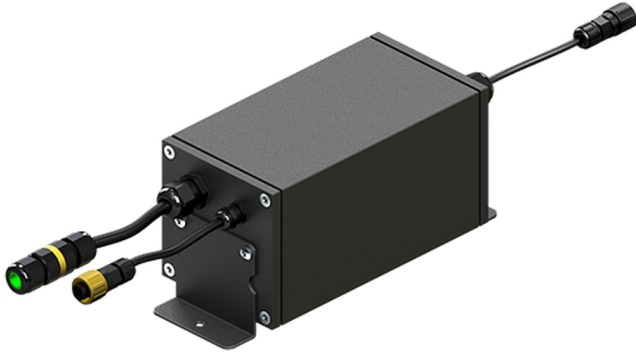


**DMX/RDM splitter within an IP65 box - 1 channel output (A611891)****A611891****Product description**

250x102x113 mm

**Technical information**

DMX/RDM Splitter, within an IP65 box with 1 channel output, is a digital signal distributor used with DMX512-A and ANSI E1.20 RDM. 1-port, DMX/RDM isolated splitter engineered to take any architectural, commercial, or entertainment project to the next level. Multiple DMX/RDM Splitter can be chained together to create as many outputs as you need.