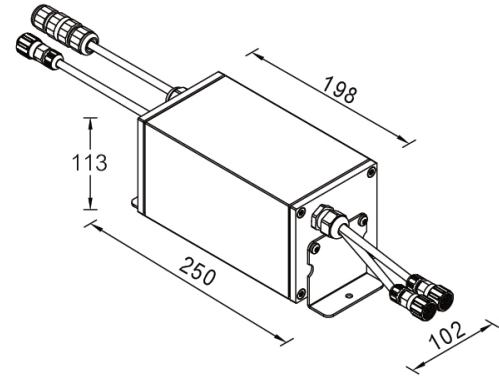
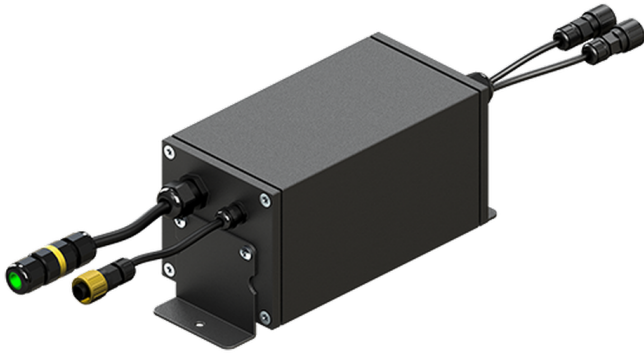


**DMX/RDM splitter within an IP65 box - 2 channels output (A611991)****A611991****Product description**

250x102x113 mm

**Technical information**

DMX/RDM Splitter, within an IP65 box with 2 channels output, is a digital signal distributor is used with DMX512-A and ANSI E1.20 RDM. 2-ports, DMX/RDM isolated splitter engineered to take any architectural, commercial, or entertainment project to the next level.

Using the DMX/RDM Splitter to turn one DMX feed into two and eliminate the need to create long and complex DMX chains. Instead, each port becomes the beginning of a new chain. Multiple DMX/RDM Splitter can be chained together to create as many outputs as you need.