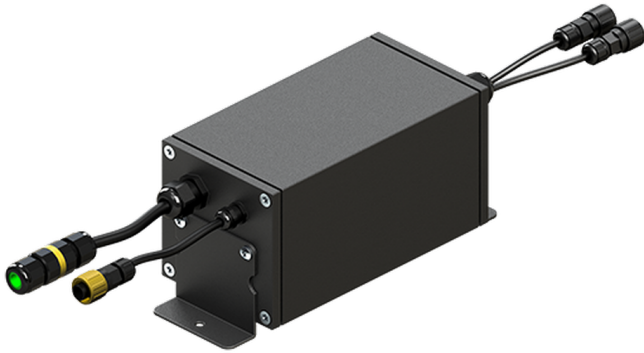
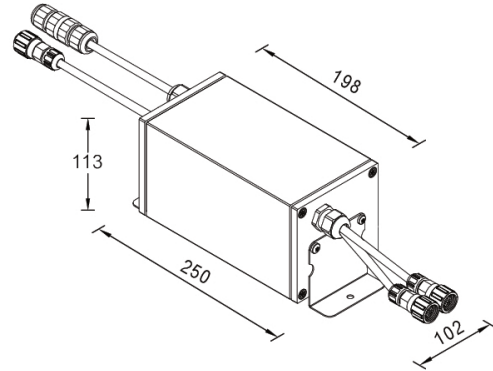


**DMX splitter & amplifier within an IP65 box (A63991)****A63991****Product description**

230x102x102 mm

**Technical information**

Digital signal distributor is used with DMX512 digital lighting control signal for amplification and 2 channel distribution output. Each input/output interface adopts high voltage isolation technology, applied to DMX512 signal via remote transmission attenuation after the plastic amplification processing. Complete electrical isolation is used between the input interface and the distribution between output interface.