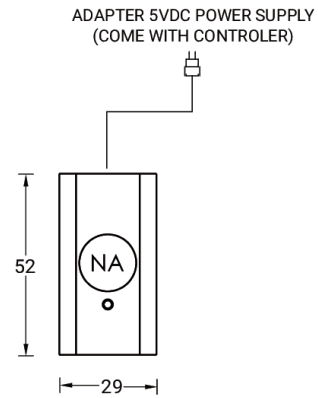


Nicolaudie - DINA-DR MICRO DMX lighting controller & Power adapter (A67291)

A67291

**Product description****Technical information**

The DINA-DR MICRO is the perfect standalone lighting controller for simple DMX installations. It offers an affordable and programmable solution to replace automatic controllers.

Delivered with a DIN rail adapter, the DINA-DR MICRO can be mounted in an electrical cabinet and affords significant ease of installation.

Create your static or dynamic lighting scenes with ESA Pro 2 software and upload them to the DINA-DR MICRO through its USB connection.

Specifications: 10 scenes, 1 zone, 62 channels (expandable up to 512 channels)