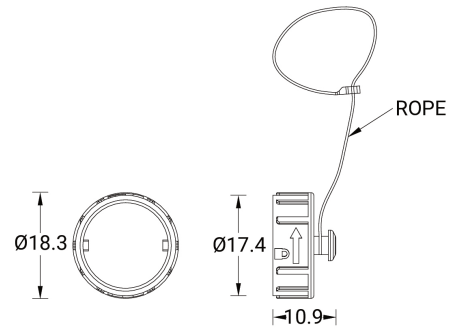


**End cap - Connector IP67 Female 2 Pin and 3 Pin Power (A67991)****A67991****Product description****Technical information**