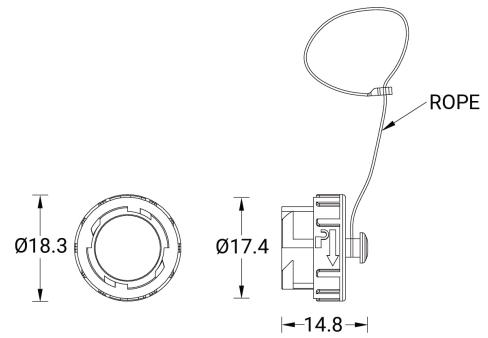


**End cap - Connector IP67 Male 2 Pin and 3 Pin Power (A68091)****A68091****Product description****Technical information**