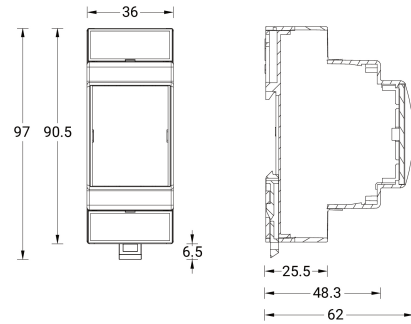


Converter DMX to DALI (A69791)

A69791



Product description

Technical information

- Converter from DMX protocol to DALI protocol
- Converts only the first 64 DMX channels in 64 DALI addresses
- Compatible only with DALI 1-2 device type 6 drivers
- Unstable power protection OVP, UVP, RVP, IFP
- DC Input: 12/24/48 VDC
- Power supply - 10 W - IP20 - DIN Rail is included
- 5 Years warranty from the manufacturer