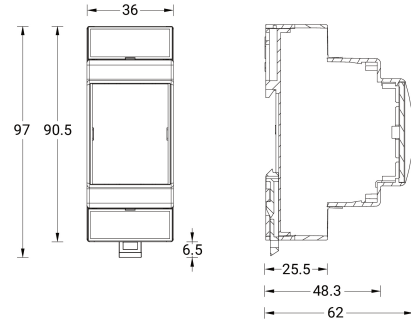


Converter DALI to DMX (A69891)

A69891



Product description

Technical information

- Converter from DALI protocol to DMX protocol
- Converts all 64 DALI addresses in 64 DMX channels
- Compatible only with DALI 1-2 device type 6 drivers
- Unstable power protection OVP, UVP, RVP, IFP
- DC Input: 12/24/48 VDC
- Power supply - 10 W - IP20 - DIN Rail is included
- 5 Years warranty from the manufacturer