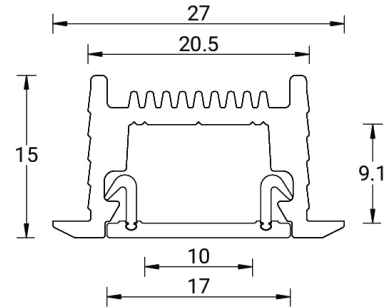


A80030 - Recessed (A80030)

A80030

**Product description**

- Recessed via friction-fit mounting system
- Width 27 mm x Height 15 mm (with 3 mm trim)
- Prismatic diamond-cut design diffuser (continuous)
- Anodised aluminium

Technical information

A80030 - Recessed (A80030)**Accessories**



End cap for A80030
A80030-EC



Diffuser prismatic continuous -
Diamond cut - 17 mm
A80062
