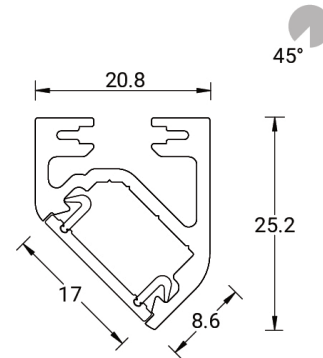
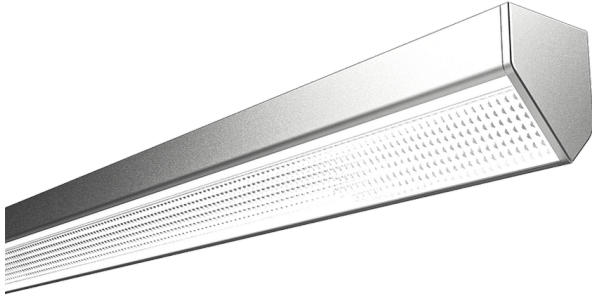


A80031 - Recessed, Surface mounted or Suspended (A80031)

A80031

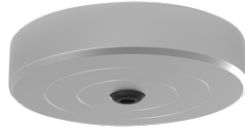
**Product description**

- Recessed, Surface mounted or Suspended
- Width 20.8 mm x Height 25.24 mm
- Prismatic diamond cut design diffuser (continuous)
- Anodised aluminium
- 45° angle illumination

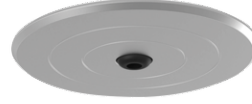
Technical information

A80031 - Recessed, Surface mounted or Suspended (A80031)**Accessories**

End cap for A80031
A80031-EC



Cable base - Surface-mounted
A80051



Cable base - Flash-mounted
A80052



Joiner - Large - Straight
A80077



Joiner - Large - 90° Corner
A80078



Seismic safety wire
A80073



Diffuser prismatic continuous -
Diamond cut - 17 mm
A80062



Joiner - Large - 120° Corner
A80079



Joiner - Large - 135° Corner
A80080



Joiner - Large - 144° Corner
A80081