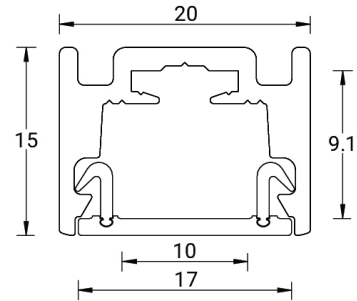
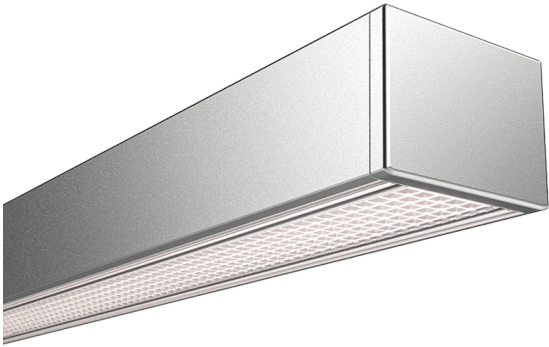


A80033 - Recessed or Surface mounted (A80033)

A80033

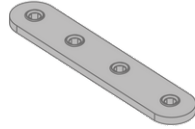
**Product description**

- Recessed or Surface mounted
- Width 20 mm x Height 15 mm
- Prismatic diamond cut design diffuser (continuous)
- Anodised aluminium
- Self-countersinking screw design

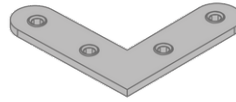
Technical information

A80033 - Recessed or Surface mounted (A80033)**Accessories**

End cap for A80033
A80033-EC



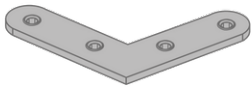
Joiner - Straight
A80055



Joiner - 90° Corner
A80056



Diffuser prismatic continuous -
Diamond cut - 17 mm
A80062



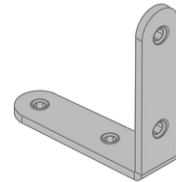
Joiner - 120° Corner
A80057



Joiner - 135° Corner
A80074



Joiner - 144° Corner
A80075



Joiner - Vertical to Horizontal
A80058



X Cross
A80076