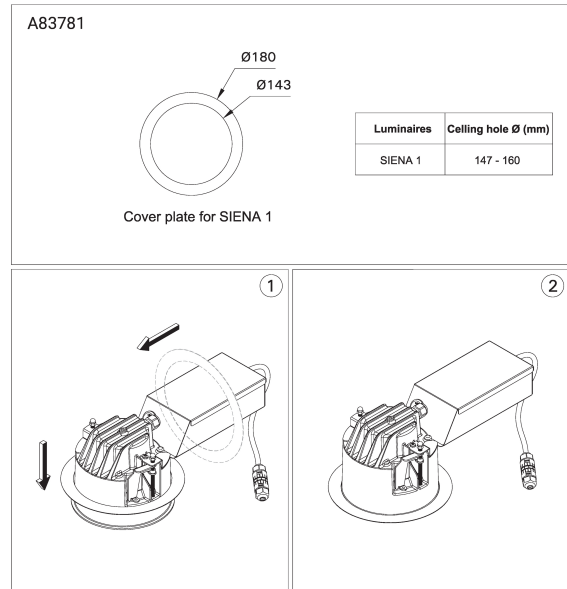


Cover plate for SIENA 1 (A83781)**Product description**

Conceals minor oversized cut-outs, accommodating gaps 5-20 mm larger than specified

Technical information