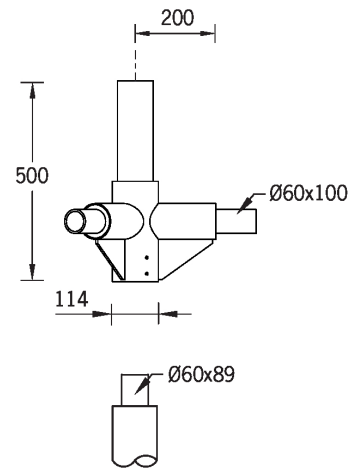


Triple arm mount - Type 2 (A92360)

A92360

**Product description****Technical information**

Material	Aluminium
Product colours	Black, Dark Grey, White, Matt Silver, Bronze, Concrete - Urban, Softscape - Urban, Stone - Urban, Corten - Urban, Oak - Woodland, Walnut - Woodland, Pine - Woodland