

**ATLANTIC 2 (AA-10096-1)**



**Product description**

Ø186 - 830 mm - Dome top



**Luminaire Structure**

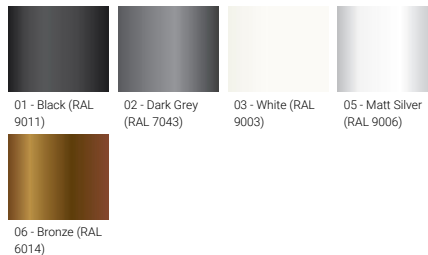
- Die-cast aluminium housing
- Extruded aluminium column
- Pre-treated before powder coating ensuring high corrosion resistance
- Single cable entry
- One IP68 connector supplied with 0.2 m of 3x1.0 sqmm outdoor cable
- Stainless steel fasteners in grade 304 with zinc flake coating (ZFC)
- Durable silicone rubber gasket
- Opal toughened glass diffuser
- Integral control gear

**Optic**

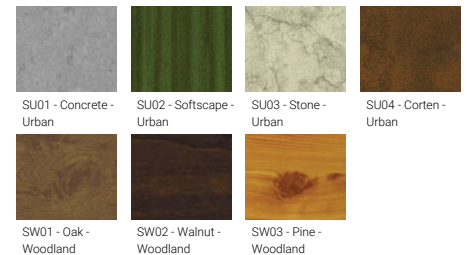


G

**Product colour**



**Special finishes upon request**

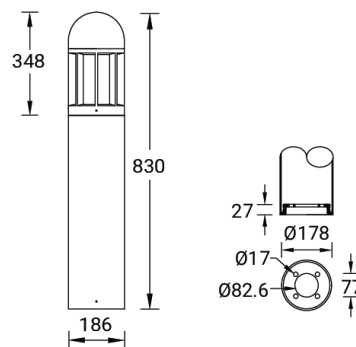


**ATLANTIC 2 (AA-10096-1)**

**Technical information**

<b>Material</b>	Aluminium	<b>Optic</b>	G	<b>Product colours</b>	Black, Dark Grey, White, Matt Silver, Bronze, Concrete - Urban, Softscape - Urban, Stone - Urban, Corten - Urban, Oak - Woodland, Walnut - Woodland, Pine - Woodland
<b>Light source</b>	1 COB	<b>Optic value</b>	360°	<b>Weight</b>	8.2 kg
<b>Power</b>	41 W	<b>CCT / CRI</b>	3000K CRI80, 4000K CRI80	<b>Operating temperature</b>	-20 °C to 50 °C
<b>Lumen</b>	2075 - 2133 lm	<b>Bug</b>	B1-U3-G1, B1-U4-G1	<b>Cable</b>	One IP68 connector supplied with 0.2 m of 3x1.0 sqmm outdoor cable
<b>Efficacy</b>	49 - 51 lm/W	<b>ULR</b>	48%	<b>Through wiring</b>	Single cable entry
<b>Driver option</b>	Integral control gear	<b>ULOR</b>	48%	<b>Lens / Reflector / Optic</b>	Opal toughened glass diffuser
<b>Driver</b>	Constant current (CC)	<b>CIE flux code n°3</b>	67	<b>Variants (1-10V, DALI)</b>	Compatible with EN/ IEC 60598-2-22: Suitable for emergency installations as central supply, non-maintained (Z0)
<b>Input voltage</b>	220-240 V 50/60 Hz	<b>Dimming type</b>	On/Off, 1-10V, DALI		

AA-10096-1



**Accessories**



Anchor bolt  
**A10291**



DALI Control System  
**Control-DALI**