

**ATLANTIC 2 (AA-10106-1)**



**Product description**

Ø186 - 1135 mm - Dome top



**Luminaire Structure**

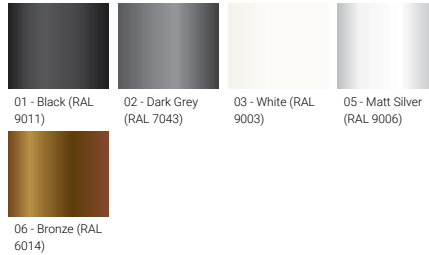
- Die-cast aluminium housing
- Extruded aluminium column
- Pre-treated before powder coating ensuring high corrosion resistance
- Single cable entry
- One IP68 connector supplied with 0.2 m of 3x1.0 sqmm outdoor cable
- Stainless steel fasteners in grade 304 with zinc flake coating (ZFC)
- Durable silicone rubber gasket
- Opal toughened glass diffuser
- Integral control gear

**Optic**

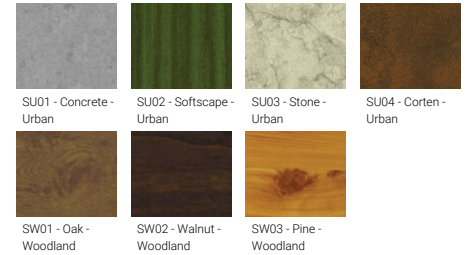


G

**Product colour**



**Special finishes upon request**



**ATLANTIC 2 (AA-10106-1)**

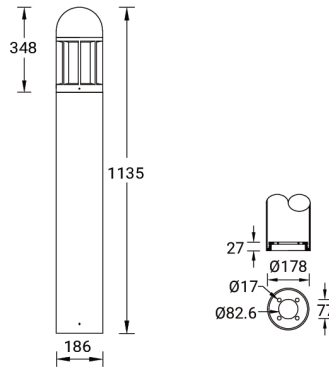
**Technical information**

|                      |                       |
|----------------------|-----------------------|
| <b>Material</b>      | Aluminium             |
| <b>Light source</b>  | 1 COB                 |
| <b>Power</b>         | 41 W                  |
| <b>Lumen</b>         | 1406 - 1602 lm        |
| <b>Efficacy</b>      | 34 - 39 lm/W          |
| <b>Driver option</b> | Integral control gear |
| <b>Driver</b>        | Constant current (CC) |
| <b>Input voltage</b> | 220-240 V 50/60 Hz    |
| <b>Optic</b>         | G                     |

|                          |  |
|--------------------------|--|
| <b>Optic value</b>       | 360°   |
| <b>CCT / CRI</b>         | 3000K CRI80, 4000K CRI80   |
| <b>Bug</b>               | B1-U4-G1   |
| <b>ULR</b>               | 48%  |
| <b>ULOR</b>              | 48%  |
| <b>CIE flux code n°3</b> | 67   |
| <b>Dimming type</b>      | On/Off, 1-10V, DALI  |
| <b>Product colours</b>   | Black, Dark Grey, White, Matt Silver, Bronze, Concrete - Urban, Softscape - Urban, Stone - Urban, Corten - Urban, Oak - Woodland, Walnut - Woodland, Pine - Woodland |
| <b>Weight</b>            | 9.6 kg   |

|                                 |   |
|---------------------------------|---|
| <b>Operating temperature</b>    | -20 °C to 50 °C   |
| <b>Cable</b>                    | One IP68 connector supplied with 0.2 m of 3x1.0 sqmm outdoor cable  |
| <b>Through wiring</b>           | Single cable entry  |
| <b>Lens / Reflector / Optic</b> | Opal toughened glass diffuser   |
| <b>MacAdam Ellipse</b>          | 3 SDCM  |
| <b>Lifetime L90B10 (hours)</b>  | > 55,000  |
| <b>Variants (1-10V, DALI)</b>   | Compatible with EN/ IEC 60598-2-22: Suitable for emergency installations as central supply, non-maintained (Z0) |

AA-10106-1



**Accessories**



Anchor bolt  
**A10391**



Power connection box (IP65)  
modification upon request  
**POWER-BOX-IP65**



DALI Control System  
**Control-DALI**