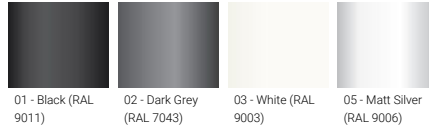


**ATLANTIC 13** (AA-95016-2-2)**Product description**

Straight shade - Cone top

**Luminaire Structure**

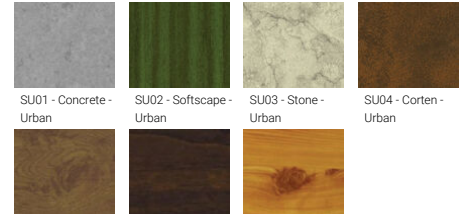
- Painted galvanised steel pendant rod
- Die-cast aluminium housing
- Pre-treated before powder coating ensuring high corrosion resistance
- Two cable entries for through wiring
- Stainless steel fasteners in grade 304 with zinc flake coating (ZFC)
- Durable silicone rubber gasket
- Opal toughened glass diffuser
- Integral control gear

**Optic****G****Product colour**

01 - Black (RAL 9011) 02 - Dark Grey (RAL 7043) 03 - White (RAL 9003) 05 - Matt Silver (RAL 9006)



06 - Bronze (RAL 6014)

**Special finishes upon request**

SU01 - Concrete - Urban SU02 - Softscape - Urban SU03 - Stone - Urban SU04 - Corten - Urban

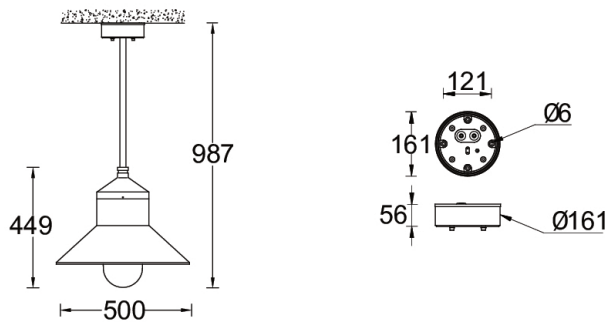
SW01 - Oak - Woodland SW02 - Walnut - Woodland SW03 - Pine - Woodland

**ATLANTIC 13 (AA-95016-2-2)**

**Technical information**

<b>Material</b>	Aluminium	<b>Optic</b>	G	<b>Product colours</b>	Black, Dark Grey, White, Matt Silver, Bronze, Concrete - Urban, Softscape - Urban, Stone - Urban, Corten - Urban, Oak - Woodland, Walnut - Woodland, Pine - Woodland
<b>Light source</b>	1 COB	<b>Optic value</b>	134°	<b>Weight</b>	9.2 kg
<b>Power</b>	41 W	<b>CCT / CRI</b>	3000K CRI80, 4000K CRI80	<b>Operating temperature</b>	-20 °C to 50 °C
<b>Lumen</b>	2601 - 2632 lm	<b>Bug</b>	B1-U3-G1	<b>Through wiring</b>	Two cable entries for through wiring
<b>Efficacy</b>	63 - 64 lm/W	<b>ULR</b>	3%	<b>Lens / Reflector / Optic</b>	Opal toughened glass diffuser
<b>Driver option</b>	Integral control gear	<b>ULOR</b>	3%	<b>MacAdam Ellipse</b>	3 SDCM
<b>Driver</b>	Constant current (CC)	<b>CIE flux code n°3</b>	92	<b>Lifetime L90B10 (hours)</b>	> 55,000
<b>Input voltage</b>	220-240 V 50/60 Hz	<b>Dimming type</b>	On/Off, 1-10V, DALI	<b>Variants (1-10V, DALI)</b>	Compatible with EN/ IEC 60598-2-22: Suitable for emergency installations as central supply, non-maintained (Z0)

AA-95016-2-2



**Accessories**



DALI Control System  
Control-DALI