

ABACUS 5 (AB-10051)



Product description

260x75 mm - 1000 mm - 1 side



Luminaire Structure

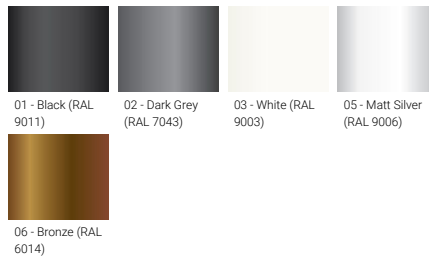
- Die-cast aluminium housing
- Extruded aluminium column
- Pre-treated before powder coating ensuring high corrosion resistance
- Single cable entry
- One IP68 connector supplied with 0.2 m of 3x1.0 sqmm outdoor cable
- Stainless steel fasteners in grade 304 with zinc flake coating (ZFC)
- Durable silicone rubber gasket
- Frosted glass diffuser
- Integral control gear

Optic

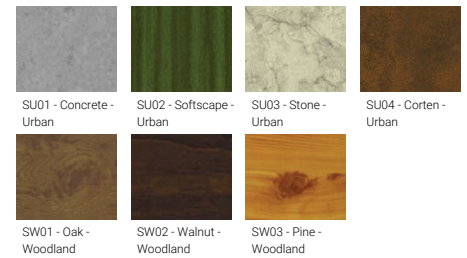


G

Product colour



Special finishes upon request



ABACUS 5 (AB-10051)

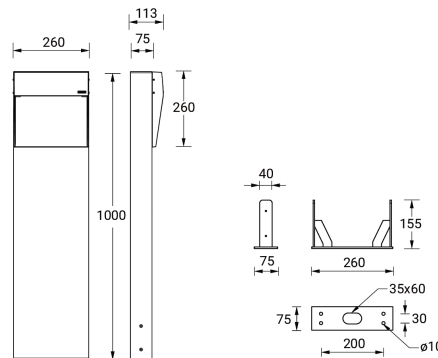
Technical information

| | |
|----------------------|-----------------------|
| Material | Aluminium |
| Light source | 30 LED |
| Power | 11 W |
| Lumen | 765 - 783 lm |
| Efficacy | 70 - 71 lm/W |
| Driver option | Integral control gear |
| Driver | Constant current (CC) |
| Input voltage | 220-240 V 50/60 Hz |
| Optic | G |

| | |
|--------------------------|--|
| Optic value | 102°x 70° |
| CCT / CRI | 3000K CRI80, 4000K CRI80 |
| Bug | B1-U2-G1 |
| ULR | 2% |
| ULOR | 2% |
| CIE flux code n°3 | 96 |
| Dimming type | On/Off |
| Product colours | Black, Dark Grey, White, Matt Silver, Bronze, Concrete - Urban, Softscape - Urban, Stone - Urban, Corten - Urban, Oak - Woodland, Walnut - Woodland, Pine - Woodland |
| Weight | 9.1 kg |

| | |
|---------------------------------|---|
| Operating temperature | -20 °C to 40 °C |
| Cable | One IP68 connector supplied with 0.2 m of 3x1.0 sqmm outdoor cable |
| Through wiring | Single cable entry |
| Lens / Reflector / Optic | Frosted glass diffuser |
| MacAdam Ellipse | 3 SDCM |
| Lifetime L90B10 (hours) | > 23,000 |
| Lifetime L80B10 (hours) | > 45,000 |
| Lifetime L80B50 (hours) | > 49,000 |
| Variants (On/Off) | Compatible with EN/ IEC 60598-2-22: Suitable for emergency installations as central supply, non-maintained (Z0) |

AB-10051



Accessories



Anchor bolt
A12091