

ABERDEEN 1 (ABA-20002)



Product description

Top Ø700



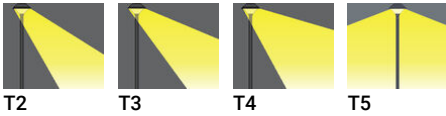
Luminaire Structure

- Die-cast aluminium housing
- Pre-treated before powder coating ensuring high corrosion resistance
- Single cable entry
- One IP68 connector supplied with 0.2 m of 3x1.0 sqmm outdoor cable

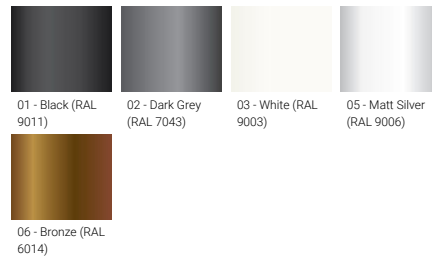
- Stainless steel fasteners in grade 304 with zinc flake coating (ZFC)
- Durable silicone rubber gasket
- High-efficiency PMMA lens
- Clear acrylic PMMA diffuser

- Integral control gear

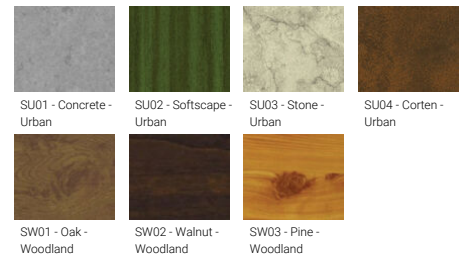
Optic



Product colour



Special finishes upon request



ABERDEEN 1 (ABA-20002)

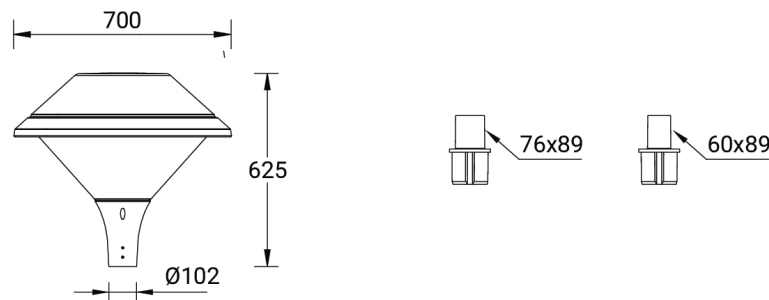
Technical information

Material	Aluminium
Light source	24 LED
Power	61 W
Lumen	7212 - 7996 lm
Efficacy	118 - 131 lm/W
Driver option	Integral control gear
Driver	Constant current (CC)
Input voltage	220-240 V 50/60 Hz
Optic	T2, T3, T4, T5

Optic value	142°x59°, 142°x72°, 102°x63°, 119°x147°
CCT / CRI	3000K CRI80, 4000K CRI80
Bug	B2-U3-G2, B3-U3-G1
ULR	1%, 2%
ULOR	1%, 2%
CIE flux code n°3	94
Dimming type	On/Off, 1-10V, DALI
Product colours	Black, Dark Grey, White, Matt Silver, Bronze, Concrete - Urban, Softscape - Urban, Stone - Urban, Corten - Urban, Oak - Woodland, Walnut - Woodland, Pine - Woodland
Weight	16.50 kg

Operating temperature	-20 °C to 40 °C
Cable	One IP68 connector supplied with 0.2 m of 3x1.0 sqmm outdoor cable
Through wiring	Single cable entry
Lens / Reflector / Optic	High-efficiency PMMA lens, Clear acrylic PMMA diffuser
MacAdam Ellipse	3 SDCM
Lifetime L90B10 (hours)	> 90,000
Lifetime L80B10 (hours)	> 90,000
Lifetime L80B50 (hours)	> 90,000
Variants (On/Off, 1-10V, DALI)	Compatible with EN/ IEC 60598-2-22: Suitable for emergency installations as central supply, non-maintained (ZO)

ABA-20002



Accessories



DALI Control System
Control-DALI